

REV	LOCAS	DESCRIPTION	DRAW	DATE
01	NEW	PERLIMINARY	Wang	2014.03.26
02		INITIAL RELEASE	Wang	2014.09.29
03	△3	UPDATED	Andy	2017.09.05
04	△4	UPDATED	Wang	2017.11.13

NOTES:

1.MATERIAL:

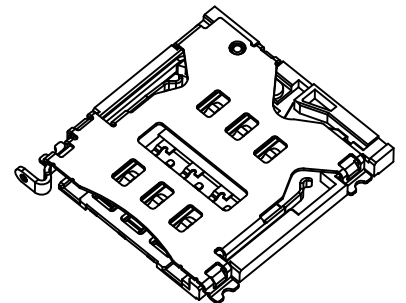
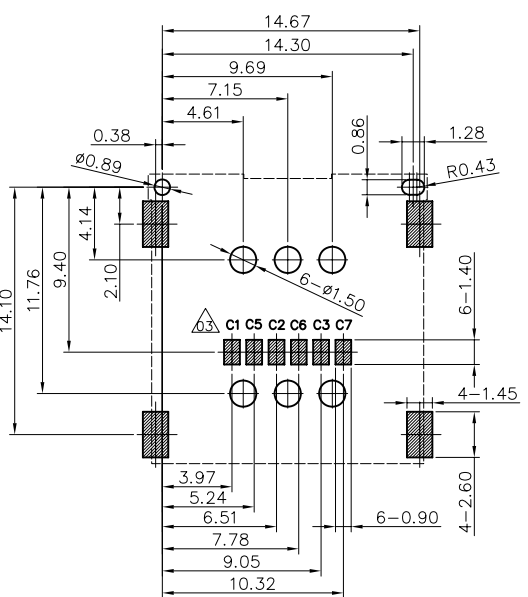
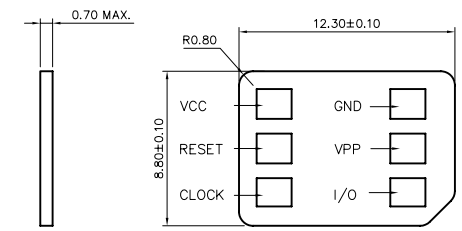
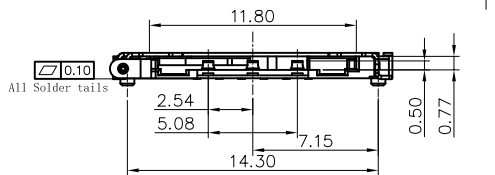
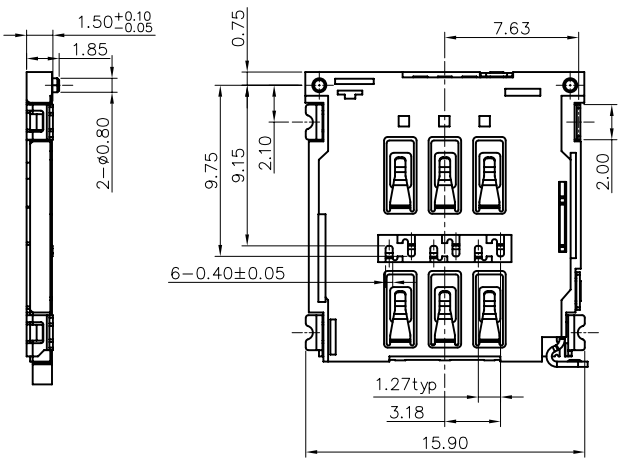
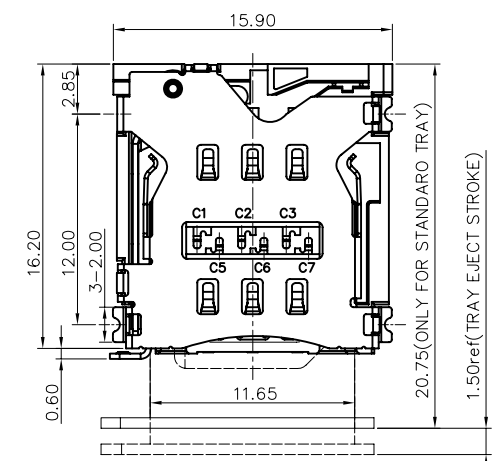
- 1.1 Housing: High Temperature Thermoplastic
UL94V-0,Color: Black
- 1.2 Terminal: Copper Alloy
- 1.3 Shell: Stainless Steel
- 1.4 Lever: Stainless Steel
- 1.5 Cam: Stainless Steel

2.FINISH:

- 2.1 Terminal: Gold flash plating on contact area,
Gold flash plating on the solder tails.
- 2.2 Shell: Gold flash plating on the solder tails.

3.SPECIALITY:

- 3.1 Rated Current: 0.5A
- 3.2 Rated Voltage: 30V
- 3.3 Contact Resistance: 50mΩ Max
- 3.4 Insulation Resistance: 1000MΩ Min 100V DC
- 3.5 Dielectric Withstanding Voltage: 500V AC
- 3.6 Solder Ability: 245±5°C; 5±0.5s
- 3.7 Durability: 5000 cycles
- 3.8 Operating Condition: Temperature: -40°C~+85°C;
Humidity: 80%R.H Max



PIN No	DESCRIPTION
C1	VCC
C2	RST
C3	CLK
C5	GND
C6	VPP
C7	I/O

UNLESS OTHERWISE SPECIFIED, TOLERANCE:
 X. ±0.25
 X.x ±0.20
 X.xx ±0.15
 ANGULAR ±3°

Singatron Enterprise Co., Ltd.				
TITLE	1.5H 6PIN NANO SIM CARD			
DWN	Wang	PART NO.	2SA0606127150-68	
CHKD	Andy	SCALE 1:1	UNIT: mm	④
APVD	Andy	SIZE: A3	SHEET: 1 OF 1	REV: 04
CUSTOMER COPY				