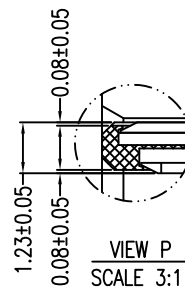
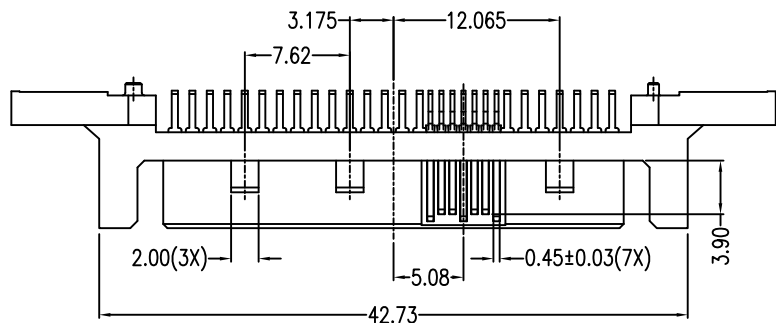


REV.	ECN.NO.	DATE
A	RELEASED	08/21/08
B	Add Tolerance Modify Notes	09/08/10



Signal Segment		Power Segment	
Pin NO.	Type	Pin NO.	Type
S1	GND	P1	V33
S2	A+	P2	V33
S3	A-	P3	V33
S4	GND	P4	GND
S5	B+	P5	GND
S6	B-	P6	GND
S7	GND	P7	V5
S8	A+	P8	V5
S9	A-	P9	V5
S10	GND	P10	GND
S11	B+	P11	DAS/DSS
S12	B-	P12	GND
S13	GND	P13	V12
S14	GND	P14	V12
		P15	V12

NOTES:

***Material**

Housing: LCP+50%G.F, UL 94V-0 rated, Color: Black;
 Contact: Brass;
 Plating: Gold plating on contact area, Tin(100u" min.) plating on solder tail, Nickel (40u" min.) underplating overall

***Mechanical**

Insertion Force: 25N max.
 Withdrawal Force: 5N min.
 Durability: 500 cycles

***Electrical Specification**

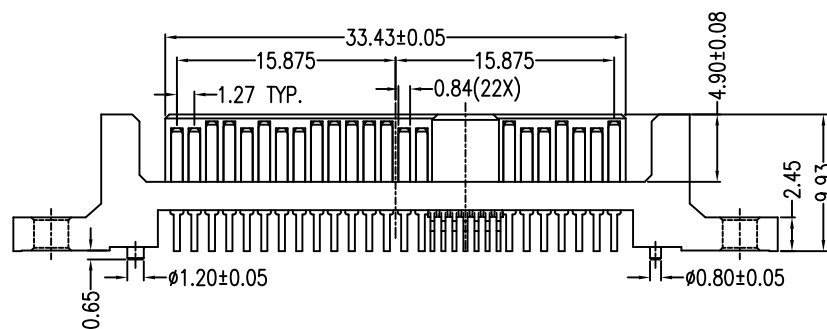
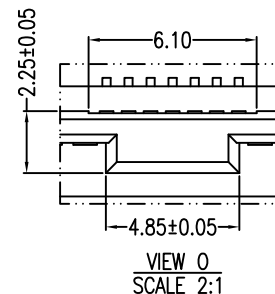
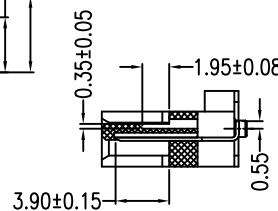
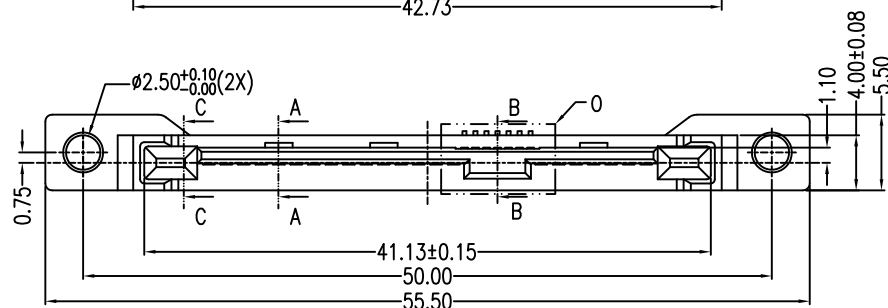
Current Rating: 1.5 Ampere per contact;
 Contact Resistance: 30 mΩ max.
 Insulation Resistance: 1000 MΩ min.
 Dielectric Withstanding Voltage: 500 VAC.

***Environmental**

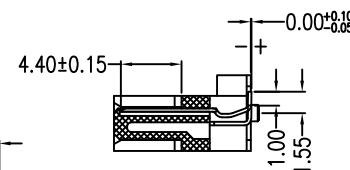
Operating Temperature: 0°C to +55°C

***How to order**

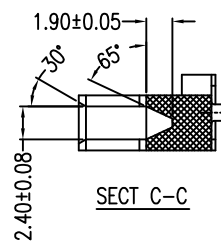
2SAS-M29-V3S-00
 ————— Gold F:Flash 5:15u" 3:30u"
 ————— Number of Contacts
 ————— Series No.



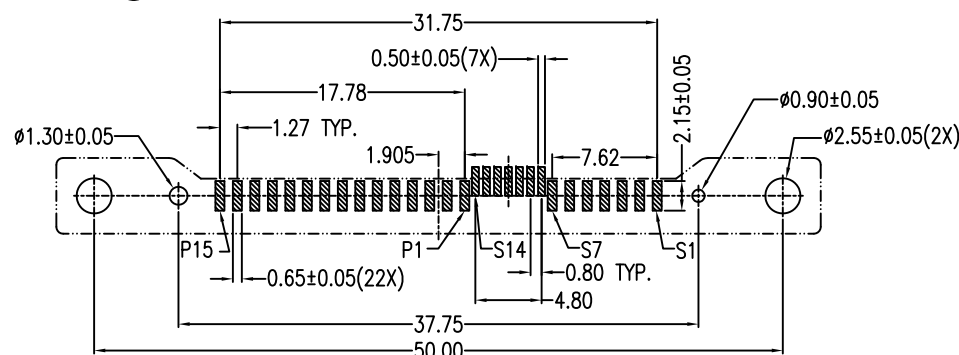
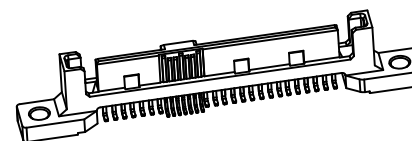
SECT A-A



SECT B-B



SECT C-C



P.C.B LAYOUT(T=1.60mm)
COMPONENT SIDE

Units	mm	Scale	2:1	Drawing By	Data	SINGATRON U.S.A.					
Tolerance Unless Otherwise Specified				Mini	09/09/10	Date		09/08/10	Title		SAS 29P Vertical SMT Screw Type Male
.X ~ ±0.28				Reviewed By	Data	Sheet		1 of 1	Third Angle Projection		
.XX ~ ±0.20				Sharon	09/09/10	Drawing No.		2SAS-M29-V3S-00	REV	B	
.XXX ~ ±0.15				Approval By	Data						
Angle ~ ± 3°				Jason	09/09/10						