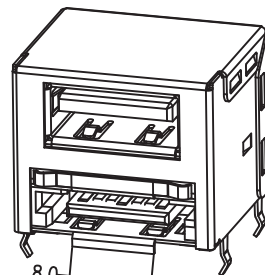
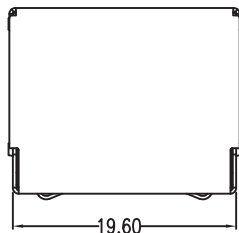
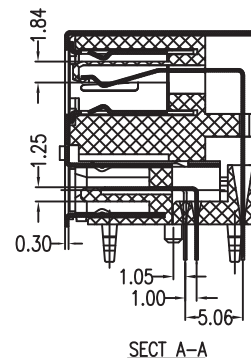
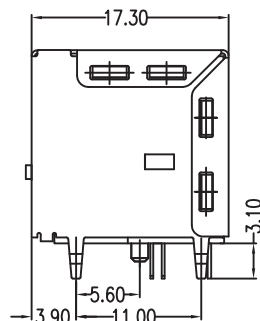
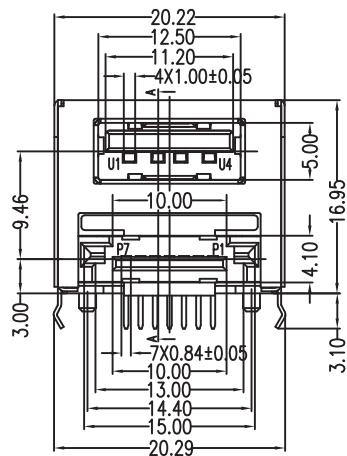


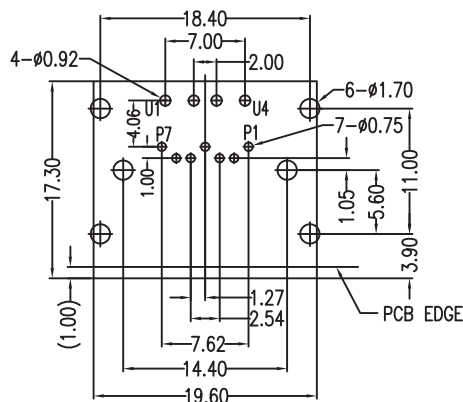
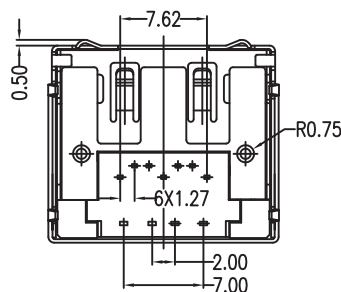
REV.	ECN.NO.	DATE
A	RELEASED	01/24/06
B	Rev. Notes & The Notes for Layout	01/16/07



3D Drawing



SECT A-A



P.C.B Layout t=1.60mm  
Top View

**NOTES:**

**\*e SATA Material**

Housing : Nylon 46,UL 94-0 Rated  
Contact : Brass,Gold plating over Nickel on contact area; Tin Plating on Solder Tail.

Shell : SUS304

**\*e SATA Electrical Specification**

Operation Voltage:100 VAC max.  
Current Rating: 1.5 Ampere per contact  
Contact Resistance: 30mOHM Max  
Insulation Resistance: 1000M OHM MIN  
Dielectric Withstanding Voltage:500VAC.

**\*USB Material**

Housing : Nylon 66,UL 94-0 Rated  
Retainer : Nylon 66,UL 94-0 Rated  
Contact : Phosphor bronze,Gold plating over Nickel on contact area; Tin Plating on Solder Tail.

Shell(Intside): SUS304

Shell(Outside): Brass,Nickel plating

**\*USB Electrical Specification**

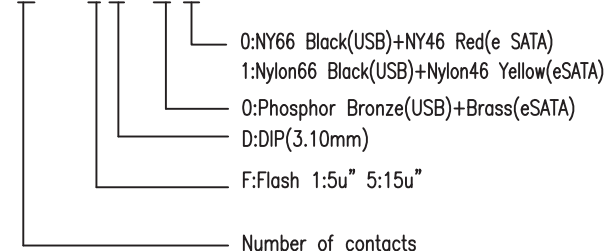
Rated Voltage and Current : 1.5A at 250V AC min;  
Contact Resistance: 30 Milliohms max.  
Insulation Resistance: 1000 megohms min At 500V DC.  
Dielectric Withstanding Voltage: 500 V AC For 1 minute.

**\*Environmental**

Operating Temperature : -55°c to +125°c.

**\*How to order:**

2SAT-011 - R 5 D - 0 0



Units	mm	Scale	1:1	Drawing By	Data	SINGATRON U.S.A.					
Tolerance Unless Otherwise Specified				Sharon	2006/1/24	Date	01/24/06	Title	USB+eSATA Plug DIP Type		
.X	~	±0.38		Reviewed By	Data	Sheet	1 of 1				
.XX	~	±0.25		Jason	2006/1/24	Third Angle Projection		Part No.	2SAT-011-RxD-00	REV	B
.XXX	~	±0.20		Approval By	Data						
Angle	~	± 3°		Jason	2006/1/24						