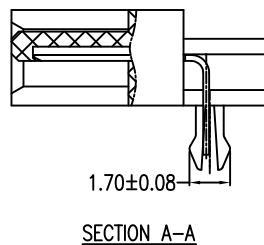
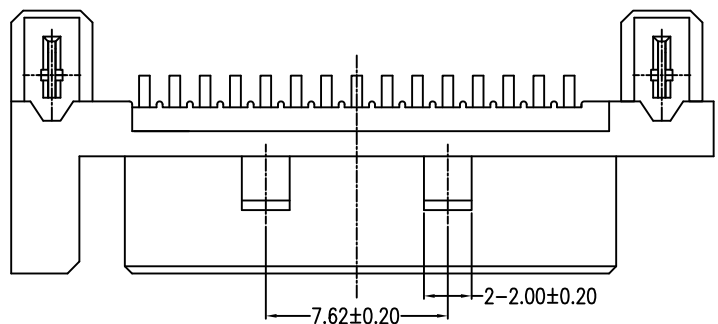


REV.	ECN.NO.	DATE
A	RELEASED	09/07/05
F	Increase the Top view	09/19-'12
G	Modify Notes	10/19-'13



PIN NO.	SIGNAL NAME
P1	V33
P2	V33
P3	V33
P4	GND
P5	GND
P6	GND
P7	V5
P8	V5
P9	V5
P10	GND
P11	DAS/DSS
P12	GND
P13	V12
P14	V12
P15	V12

**NOTES:**

**\*Material**

Housing: LCP, UL94 V-0 Rated, Color: Black;  
 Contact: Brass;  
 Plating: Au Plating On Contact Area;  
 Sn(100u" Min.) Plating On Solder Tail;  
 Ni(40u" Min.) Underplating Overall.

Harpoon: Brass  
 Plating: Sn(100u" Min.) Plating Over Ni(50u" Min.)

**\*Mechanical**

Insertion Force: 45N Max.  
 Withdrawal Force: 10N Min.  
 Durability: 500 cycles

**\*Electrical Specification**

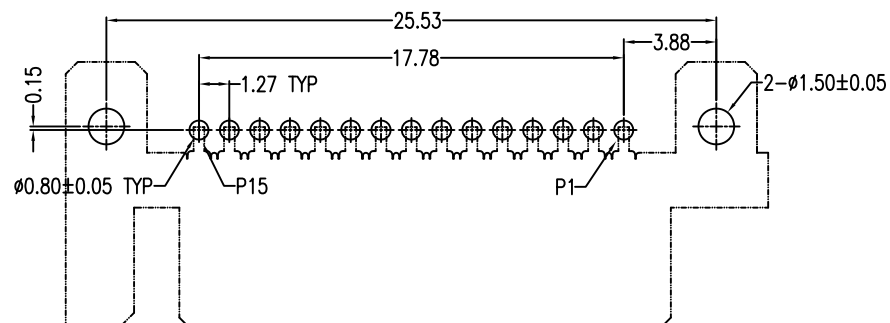
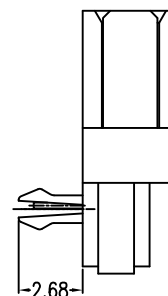
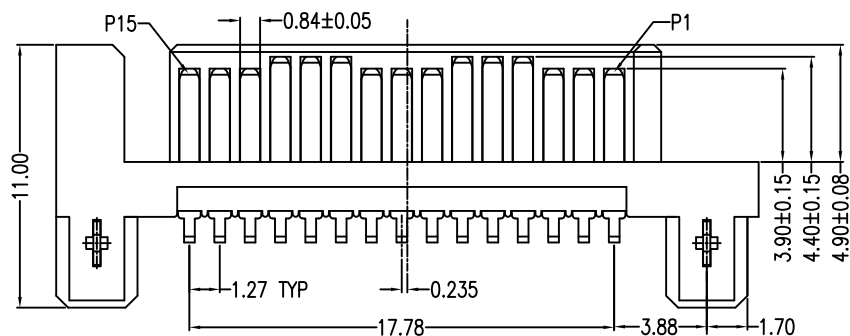
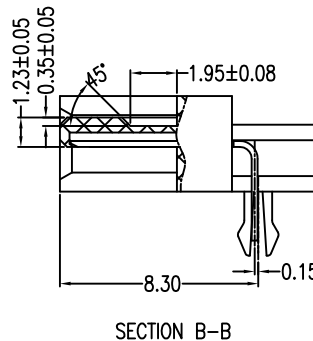
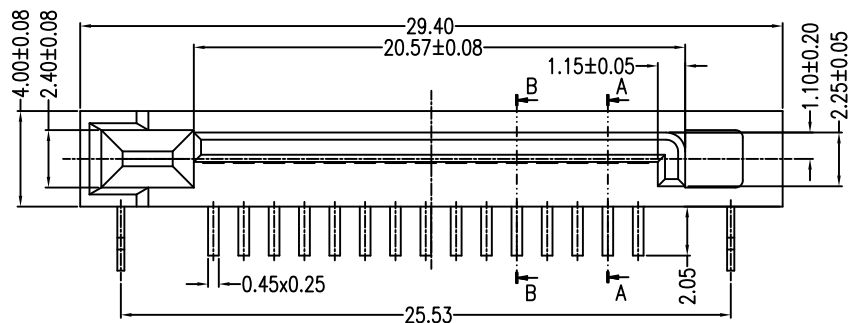
Current Rating: 1.5 Ampere Per Contact  
 Contact Resistance: 30mΩ Max.  
 Insulation Resistance: 1000MΩ Min.  
 Dielectric Withstanding Voltage: 500V AC

**\*Environmental**

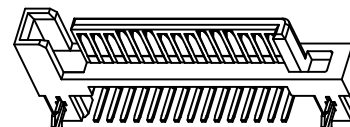
Operating Temperature: -55°C To +85°C

**\*How To Order:**

2SAT-015-R5D-00  
 Au: F:Flash; 5:15u"; 3: 30u"  
 Number Of Contacts  
 SATA Series



P.C.B. LAYOUT T=1.60mm  
 COMPONENT SIDE



Units	mm	Scale	Drawing By	Date	SINGATRON U.S.A.					
Tolerance Unless Otherwise Specified			Jack	11/15-'13						
.X	~	±0.38	Reviewed By	Date	Date	10/19-'13	Title	SATA 15P Right Angle Standard DIP Type Male		
.XX	~	±0.25	Sharon	11/15-'13	Sheet	1 of 1				
.XXX	~	±0.20	Approval By	Date	Third Angle Projection					
Angle	~	± 3°	Jason	11/15-'13			Drawing No.	2SAT-015-R5D-00	REV	G