

REV.	ECN.NO.	DATE
A	RELEASED	12/02-'05
K	Change the material of plastic & Change the Outside Shell.	05/03-'11
L	Modify dimension	02/07-'12

NOTES:

***e SATA Material**

Housing : Nylon66+30%G.F,UL 94V-0 Rated
 Contact : Brass,Au plating on contact area, Sn(100u" Min.) Plating on Solder Tail, Ni(40u" Min.) underplating over all.
 Shell : SUS 304

***e SATA Electrical Specification**

Operation Voltage:100 VAC max.
 Current Rating: 1.5 Ampere per contact
 Contact Resistance: 30mΩ Max.
 Insulation Resistance: 1000MΩ MIN.
 Dielectric Withstanding Voltage:500VAC.

***USB Material**

Housing : PBT+30%G.F,UL 94V-0 Rated Color:Black
 Retainer : Nylon66+30%G.F,UL 94V-0 Rated Color:Black
 Contact : Phosphor bronze,Au plating on contact area, Sn(100u" Min.) Plating on Solder Tail, Ni(40u" Min.) underplating over all.
 Shell(Outside):SUS 430; Sn(60u" Min.) Plating on Ni area,Ni(10u" Min.) underplating on Solder Tail.
 Shell(Inside): SUS 304.

***USB Electrical Specification**

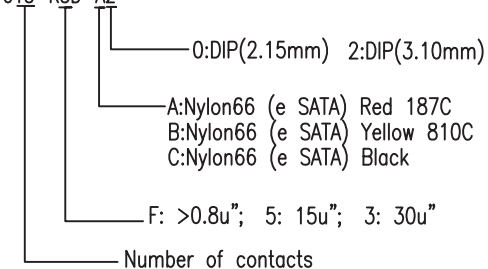
Rated Voltage and Current : 1.5A at 250V AC min.;
 Contact Resistance: 30 mΩ max.
 Insulation Resistance: 1000 MΩ min. At 500V DC.
 Dielectric Withstanding Voltage: 500 V AC For 1 minute.

***Environmental**

Operating Temperature : -55°C to +85°C.

***How to order:**

2SAT-015-R5D-A2

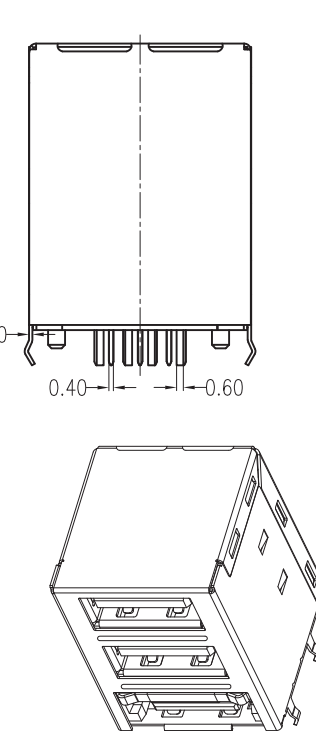
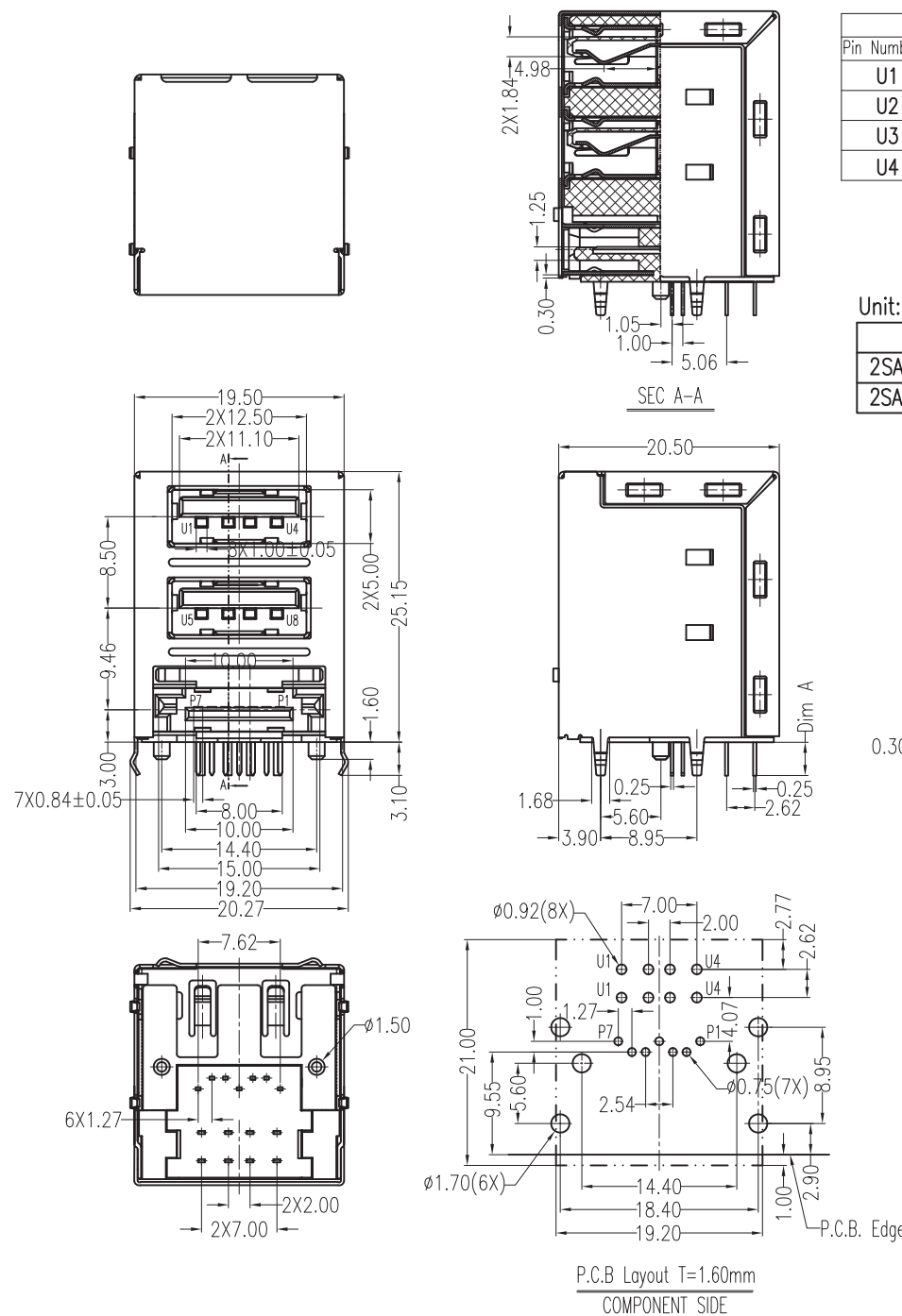


USB	
Pin Number	Signal Name
U1	VBUS
U2	D-
U3	D+
U4	GDN

eSATA	
Pin Number	Signal Name
P1	GND
P2	A+
P3	A-
P4	GND
P5	A-
P6	A+
P7	GND

Unit:mm

Standard	Dim A
2SAT-015-R5D-A2	2.15
2SAT-015-R5D-A0	3.10



Units	mm	Scale	1:1	Drawing By	Date	SINGATRON U.S.A.			
Tolerance Unless Otherwise Specified				Amy	02/07-'12				
.X	~	±	0.38	Reviewed By	Date	Date	02/07-'12		
.XX	~	±	0.25	Sharon	02/08-'12	Sheet	1 of 1	Title	Double USB+e SATA Plug
.XXX	~	±	0.20	Approval By	Date	Third Angle Projection			
Angle	~	±	3°	Jason	02/13-'12	Drawing No.	2SAT-015-R5D-Ax	REV	L