

REV.	ECN.NO.	DATE
A	RELEASED	01/24/06
B	change harpoon	04/07/09

Notes:

\*Material

Housing: LCP, UL 94V-0 rated;  
 Color: Black.  
 Contact: Phosphor Bronze  
 Plating: Gold Plating over Nickel on contact area  
 Tin plating on solder Tail.

\*Mechanical

Insertion Force: 45N max.  
 Withdrawal Force: 10N min.  
 Durability: 500 cycles

\*Electrical Specification

Current Rating: 1.5 Ampere per contact  
 Contact Resistance: 30 Milliohms max.  
 Insulation Resistance: 1000 Megohms min.  
 Dielectric Withstanding Voltage: 500 VAC

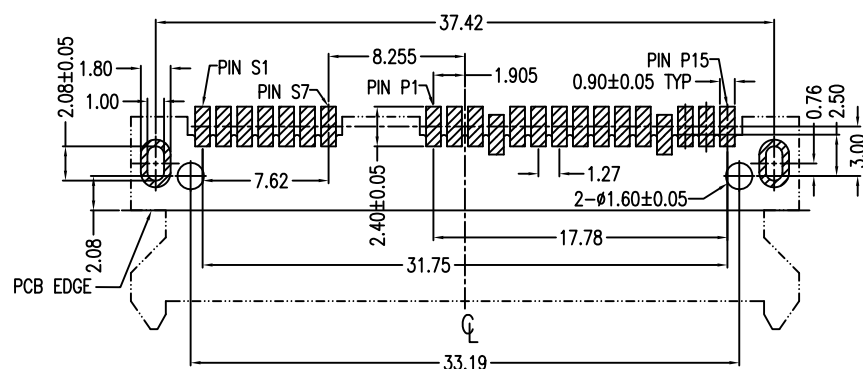
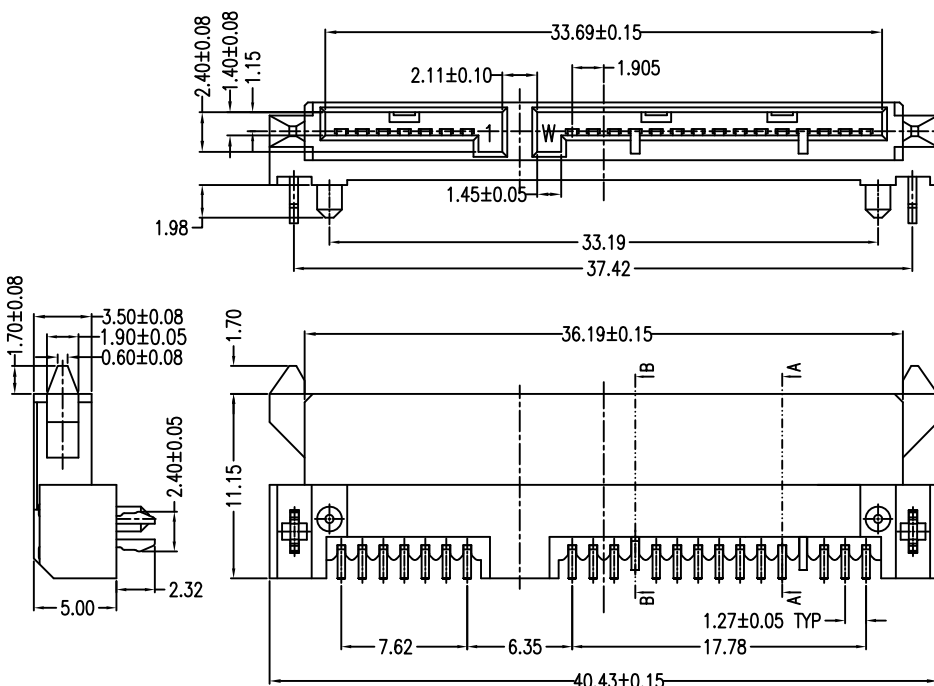
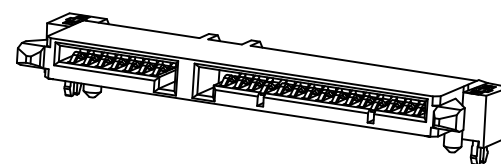
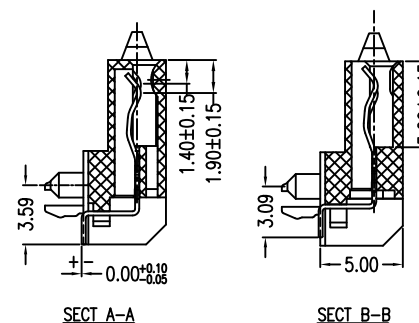
\*Environmental

Operating Temperature: 0°C to +85°C

\*How to Order:

2SAT-022-R5S-01  
 ————— Selective Gold:  
                   F:Flash 1:5u" 5:15u"  
 ————— NO. of Contacts  
 ————— Series No.

Signal Segment		Power Segment			
Name	Type	Name	Type	Name	Type
S1	GND	P1	V33	P9	V5
S2	A+	P2	V33	P10	GND
S3	A-	P3	V33	P11	DAS/DSS
S4	GND	P4	GND	P12	GND
S5	B-	P5	GND	P13	V12
S6	B+	P6	GND	P14	V12
S7	GND	P7	V5	P15	V12
		P8	V5		



P.C.B LAYOUT  
 TOP VIEW (T=1.0/1.20/1.60)

Units	mm	Scale	2:1	Drawing By	Data	SINGATRON U.S.A.							
Tolerance Unless Otherwise Specified				liyfeng	04/22/09								
.X	~	±0.38		Reviewed By	Data	Date	02/24/06	Title	Serial ATA 7+15P, Under Board SMT Female (H=5.0mm)	Drawing No.	2SAT-022-R5S-01	REV	B
.XX	~	±0.25		ZYZ	04/22/09	Sheet	1 of 1						
.XXX	~	±0.20		Approval By	Data	Third Angle Projection							
Angle	~	± 3°		Richard	04/22/09								