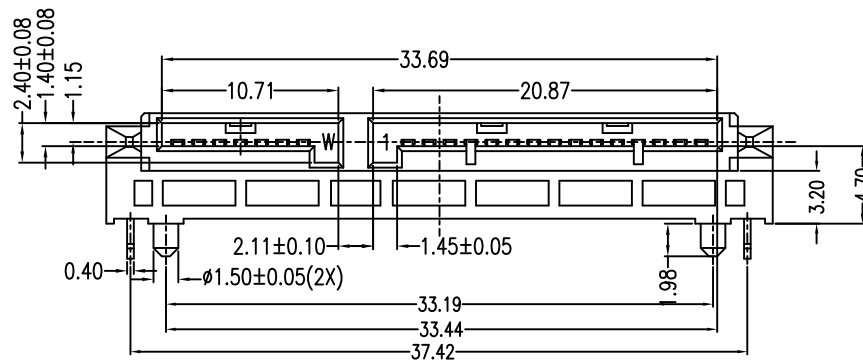


REV.	ECN.NO.	DATE
A	RELEASED	07/02/03
C	Add Notes	02/08/11'
D	Change Harpoon and notes	01/09/12



Pin NO.	Power Name	Pin NO.	Power Name
P1	V33	P9	V5
P2	V33	P10	GND
P3	V33	P11	DAS/DSS
P4	GND	P12	GND
P5	GND	P13	V12
P6	GND	P14	V12
P7	V5	P15	V12
P8	V5		

Pin NO.	Signal Name
S1	GND
S2	A+
S3	A-
S4	GND
S5	B-
S6	B+
S7	GND

Notes:

***Material**

Housing: LCP+50%GF, UL 94V-0 rated; Color: Black.
 Contact: Phosphor Bronze
 Plating: Au Plating on contact area
 Sn(100u"Min) plating on solder Tail.
 Ni(40u"Min) contact underplating overall.
 Harpoon: Brass
 Plating: Sn(100u"Min) Plating Over Ni(40u"Min)

***Mechanical**

Insertion Force: 45N max.
 Withdrawal Force: 10N min.
 Durability: 500 cycles

***Electrical Specification**

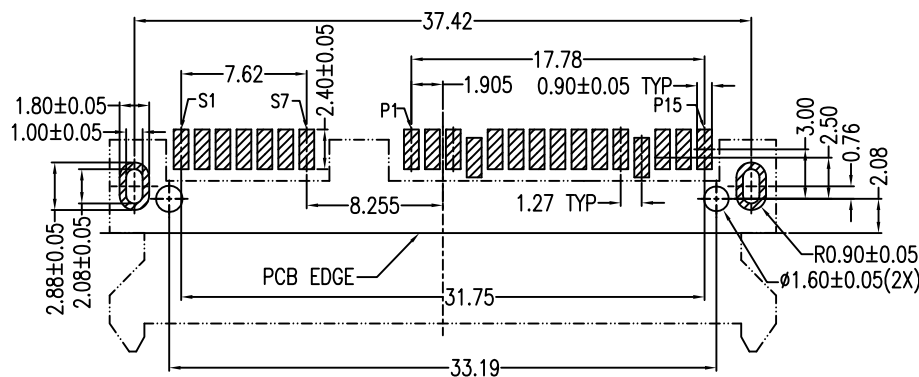
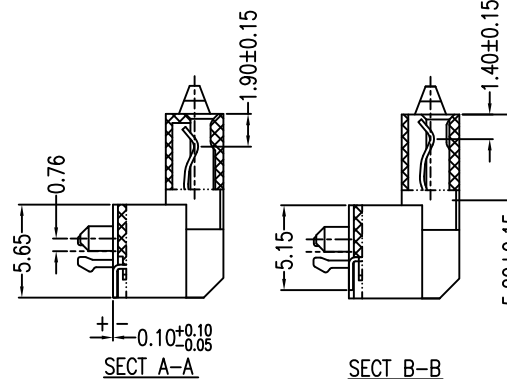
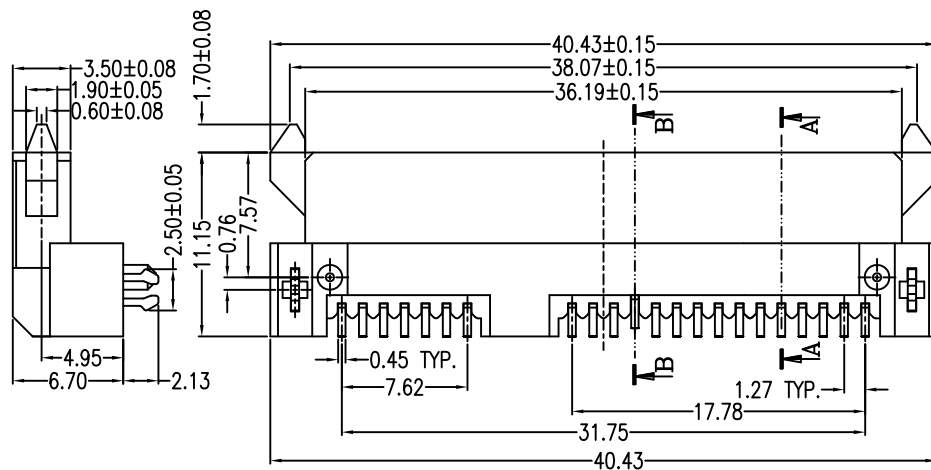
Current Rating: 1.5 Ampere per contact
 Contact Resistance: 30mΩ Max.
 Insulation Resistance: 1000MΩ Min.
 Dielectric Withstanding Voltage: 500 V AC

***Environmental**

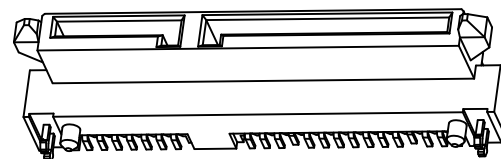
Operating Temperature: -55°C to +85°C

***How to order:**

2SAT-022-R5S-02
 Au F:Flash 5:15u" 3:30u"
 Number Of Contacts
 Series No.



PCB LAYOUT(T=1.20mm)
 COMPONENT SIDE



Units	mm	Scale	2:1	Drawing By	Data	SINGATRON U.S.A.				
Tolerance Unless Otherwise Specified				May	01/09/12					
.X ~ ±0.38				Reviewed By	Data	Date	01/09/12	Title	SATA 7+15P Under Board SMT Type (Female)	
.XX ~ ±0.25				Sharon	01/09/12	Sheet	1 of 1			
.XXX ~ ±0.20				Approval By	Data	Third Angle Projection		Drawing No.	2SAT-022-R5S-02	
Angle ~ ± 3°				Jason	01/10/12					