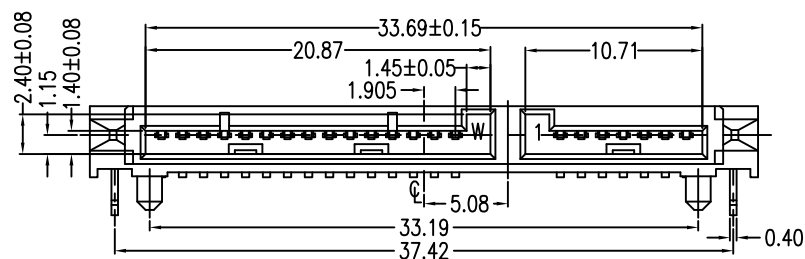


REV.	ECN.NO.	DATE
A	RELEASED	01/08/07
B	Add lock key Add The Sign of PCB Edge	11/19/07
C	Change Harpoon and notes	01/09/12



Signal Segment		Power Segment			
Name	Type	Name	Type	Name	Type
S1	GND	P1	V33	P9	V5
S2	A+	P2	V33	P10	GND
S3	A-	P3	V33	P11	DAS/DSS
S4	GND	P4	GND	P12	GND
S5	B-	P5	GND	P13	V12
S6	B+	P6	GND	P14	V12
S7	GND	P7	V5	P15	V12
		P8	V5		

Notes:

*Material

Housing: LCP+50%GF, UL 94V-0 rated;Color: Black.
 Contact: Phosphor Bronze
 Plating: Au Plating on contact area
 Sn(100u"Min) plating on solder Tail.
 Ni(40u"Min) contact underplating overall.

Harpoon: Brass
 Plating: Sn(100u"Min)Plating Over Ni(40u"Min)

*Mechanical

Insertion Force: 45N max.
 Withdrawal Force: 10N min.
 Durability: 500 cycles

*Electrical Specification

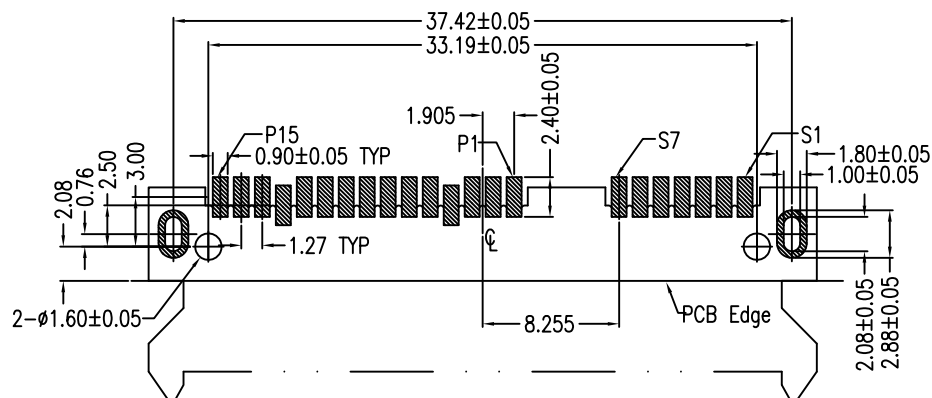
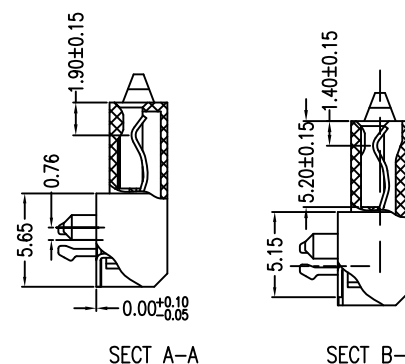
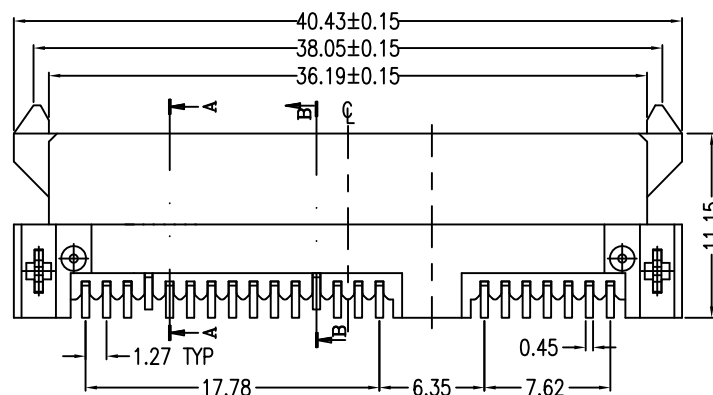
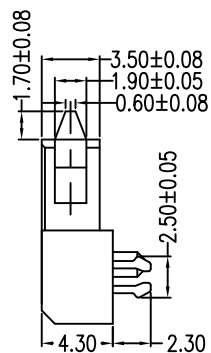
Current Rating: 1.5 Ampere per contact
 Contact Resistance: 30 mΩ Max.
 Insulation Resistance: 1000 MΩ Min.
 Dielectric Withstanding Voltage: 500 V AC

*Environmental

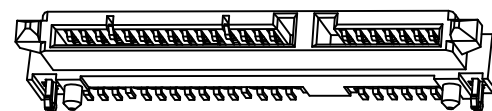
Operating Temperature: -55°C to +85°C

*How to Order:

2SAT-022-R5S-06
 — Gold: F:Flash,5:15u",3:30u"
 — NO. of Contacts
 — Series No.



P.C.B LAYOUT (T=1.6mm)
 COMPONENT SIDE



Units	mm	Scale	2:1	Drawing By	Data	SINGATRON U.S.A.					
Tolerance Unless Otherwise Specified				May	01/09/12	Date		01/09/12	Title	SATA 7+15P 90° Female SMT Type (H=4.30mm)	
.X ~ ±0.38				Reviewed By	Data	Sheet	1 of 1				
.XX ~ ±0.25				Sharon	01/09/12	Third Angle Projection					
.XXX ~ ±0.20				Approval By	Data	Drawing No.		2SAT-022-R5S-06	REV	C	
Angle ~ ± 3°				Jason	01/10/12						