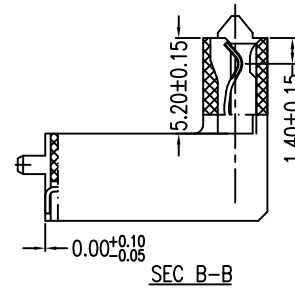
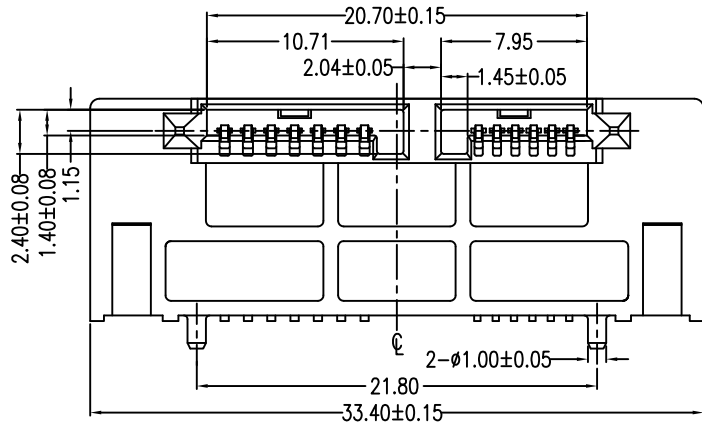
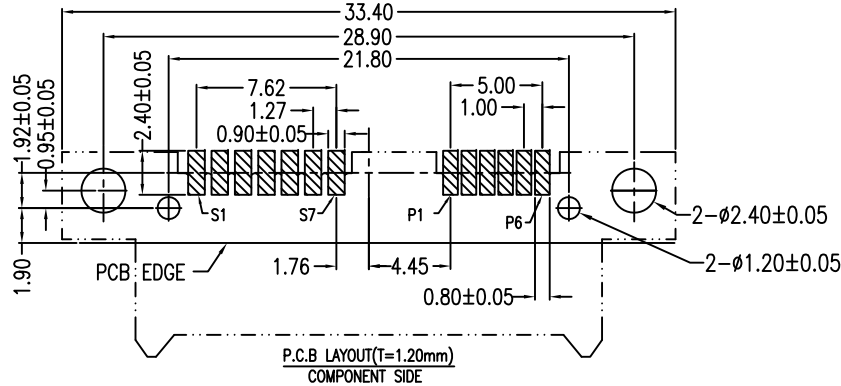
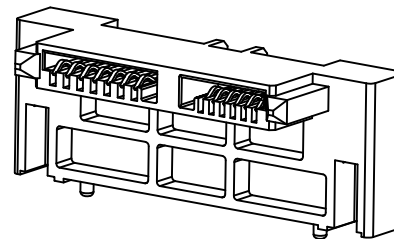
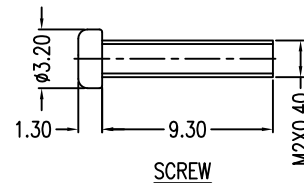
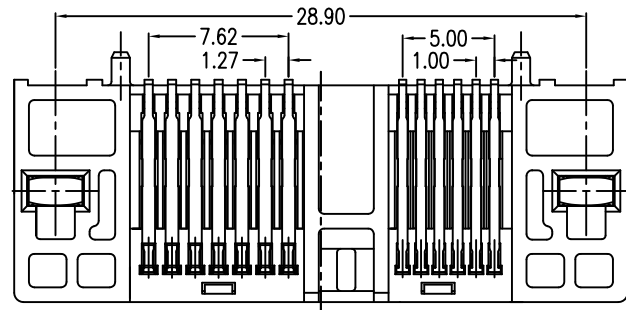
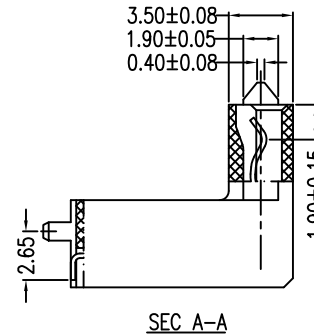
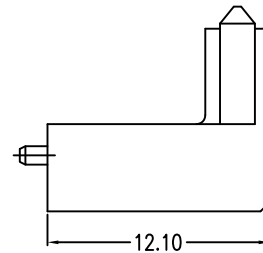
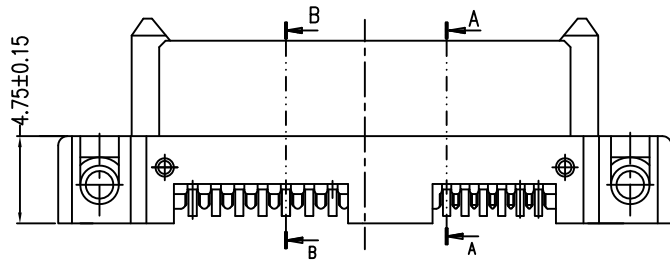


REV.	ECN.NO.	DATE
A	RELEASED	11/10/08
C	Change Withdrawal Force: 10N Min-2.5N Min.	01/21/11
D	Add the key	08/27/12



Pin No.	Signal Name	Pin No.	Power Line Designation
S1	GND	P1	DP
S2	A+	P2	+5V
S3	A-	P3	+5V
S4	GND	P4	MD
S5	B-	P5	GND
S6	B+	P6	GND
S7	GND		



Notes:

*Material

Housing: LCP+50%G.F, UL 94V-0 rated;
 Color: Black.
 Contact: Phosphor Bronze
 Plating: Au plating on contact area, Sn(100u" min.) plating on solder tail, Ni(40u" min.) underplating overall
 Screw: Fe Plating over Zn

*Mechanical

Insertion Force: 45N max.
 Withdrawal Force: 10N min.
 Durability: 500 cycles

*Electrical Specification

Current Rating: 1.5 Ampere per contact
 Contact Resistance: 30 mΩ max.
 Insulation Resistance: 1000 MΩ min.
 Dielectric Withstanding Voltage: 500 VAC

*Environmental

Operating Temperature: -55°C to +85°C

*How to Order:

2SAT-F13-R5S-30
 ————— Blank: No Screw, S: Screw
 ————— Gold F: Flash, 5: 15u", 3: 30u"
 ————— NO. of Contacts
 ————— Series No.

Units	mm	Scale	2:1	Drawing By	Data	SINGATRON U.S.A.				
Tolerance Unless Otherwise Specified				Peter	08/27/12	Date	08/27/12	Title	SATA 7+6P 90° Female Screw Reverse SMT Type(12.1)	
.X	~	±0.38		Reviewed By	Data	Sheet	1 of 1		Third Angle Projection	Drawing No.
.XX	~	±0.25		Sharon	08/27/12			REV		
.XXX	~	±0.20		Approval By	Data					
Angle	~	± 3°		Jason	08/27/12					