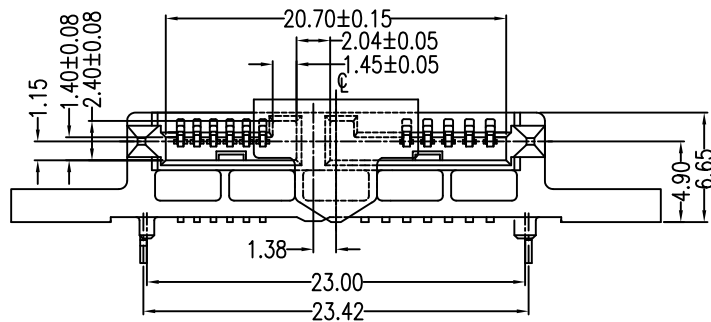


REV.	ECN.NO.	DATE
A	RELEASED	08/25/09
C	Change Notes and dimension	10/13/10
D	Change housing	03/14/11



Pin No.	Signal Name	Pin No.	Power Line Designation
S1	GND	P1	DP
S2	A+	P2	+5V
S3	A-	P3	+5V
S4	GND	P4	MD
S5	B-	P5	GND
S6	B+	P6	GND
S7	GND		

Notes:

*Material

Housing: LCP+50%G.F, UL 94V-0 rated;
 Color: Black.
 Contact: Phosphor Bronze
 Plating: Au Plating on contact area;
 Sn(100u"Min) plating on solder Tail.
 Ni(40u"Min) contact underplating overall.
 Harpoon: Brass
 Plating: Sn(100u"Min)Plating Over Ni(40u"Min)

*Mechanical

Insertion Force: 45N max.
 Withdrawal Force: 10N min.
 Durability: 50 cycles

*Electrical Specification

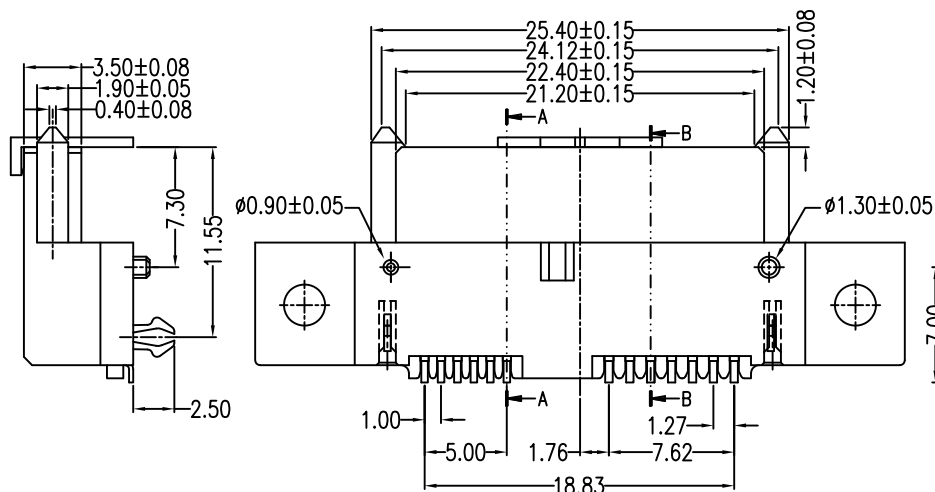
Current Rating: 1.5 Ampere per contact
 Contact Resistance: 30mΩ max.
 Insulation Resistance: 1000 MΩ min.
 Dielectric Withstanding Voltage: 500 VAC

*Environmental

Operating Temperature: -55°C to +85°C

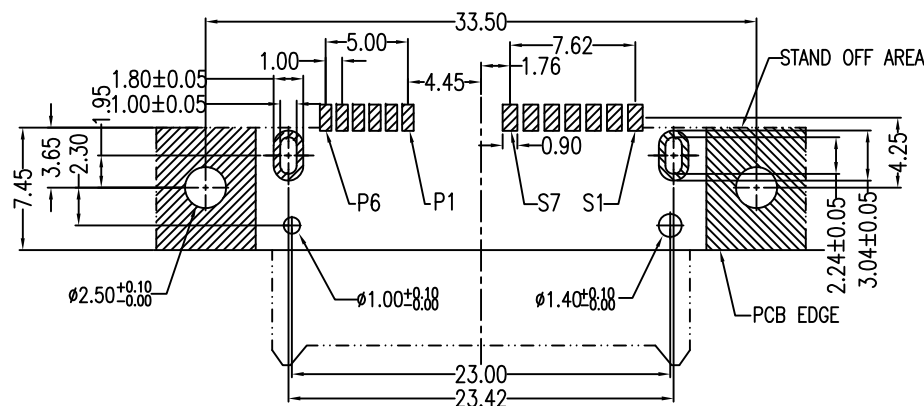
*How to Order:

2SAT-F13-RFS-80
 Au: F:Flash,5:15u",3:30u"
 NO. of Contacts
 Series No.



SECT A-A

SECT B-B



PCB Layout (T=1.20mm)

COMPONENT SIDE

Units	mm	Scale	2:1	Drawing By	Data	SINGATRON U.S.A.				
Tolerance Unless Otherwise Specified				Lulu	03/14/11					
.X	~	±0.38		Reviewed By	Data	Date	03/14/11	Title	SATA 7+6P Female Screw SMT Type(6.65)	
.XX	~	±0.25		Sharon	03/14/11	Sheet	1 of 1			
.XXX	~	±0.20		Approval By	Data	Third Angle Projection				
Angle	~	± 3°		Jason	03/14/11	Drawing No.	2SAT-F13-RFS-80	REV	D	