

REV.	ECN.NO.	DATE
A	RELEASED	11/04/08
B	Add Lockkey	01/08/10

Notes:

*Material

Housing: LCP+50%GF, UL 94V-0 rated;
 Color: Black.
 Contact: Phosphor Bronze
 Plating: Gold Plating over Nickel(40~80u") on contact area
 Tin(100~250u") plating on solder Tail.
 Harpoon: Brass
 Plating: Tin(100~250u")Plating Over Nickel(40~80u");

*Mechanical

Insertion Force: 45N max.
 Withdrawal Force: 10N min.
 Durability: 500 cycles

*Electrical Specification

Current Rating: 1.5 Ampere per contact
 Contact Resistance: 30mΩ max.
 Insulation Resistance: 1000MΩ min.
 Dielectric Withstanding Voltage: 500 VAC

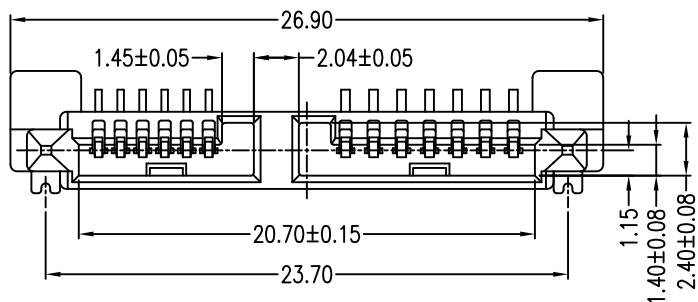
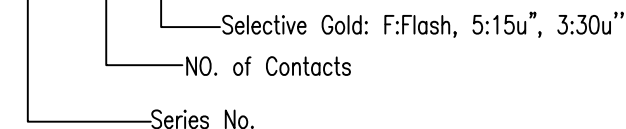
*Environmental

Operating Temperature: -55°C to +85°C

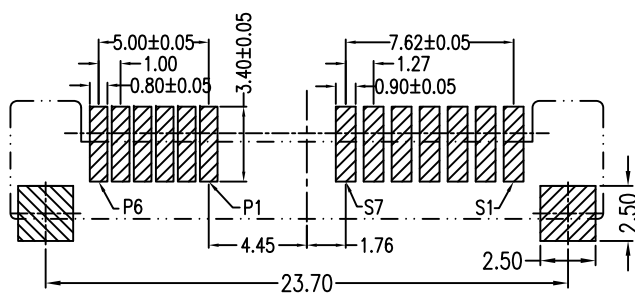
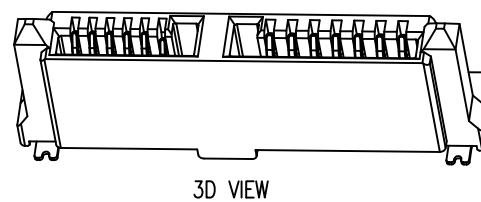
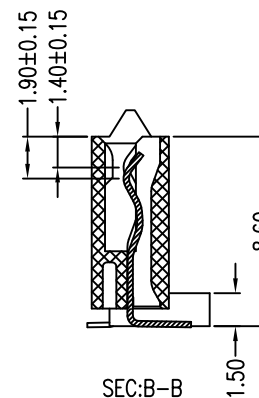
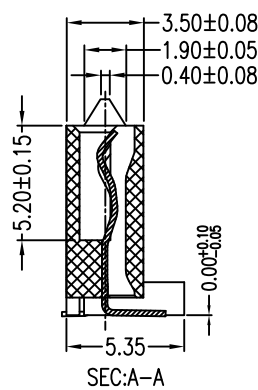
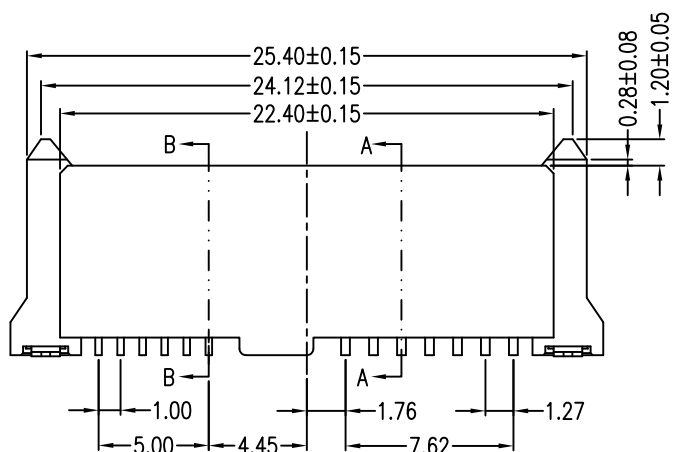
*Products in line with environmental regulations:
 ROHS(2002/95/EC)Compliant

*How to Order:

2SAT-F13-V5S-10



Pin Number	Signal Name	Pin Number	Power Line Designation
S1	GND	P1	DP
S2	A+	P2	+5V
S3	A-	P3	+5V
S4	GND	P4	MD
S5	B-	P5	GND
S6	B+	P6	GND
S7	GND		



RECOMMENDED PCB LAYOUT

Units	mm	Scale	8:3	Drawing By	Data	SINGATRON U.S.A.				
Tolerance Unless Otherwise Specified				Lulu	01/08/10					
.X	~	±0.38		Reviewed By	Data	Date	01/08/10	Title	SATA 7+6P Vertical SMT Female	
.XX	~	±0.25		Sharon	01/08/10	Sheet	1 of 1			
.XXX	~	±0.20		Approval By	Data	Third Angle Projection				
Angle	~	± 3°		Jason	01/08/10	Drawing No.	2SAT-F13-V5S-10	REV	B	