

REV.	ECN.NO.	DATE
A	RELEASED	10/23/10
B	Change Withdrawal Force: 10N Min → 2.5N min.	01/21-'11
C	Change the material	05/28-'13

Notes:

\*Material

- Housing: LCP+30%GF, UL 94V-0 rated;
- Color: Black.
- Contact: Phosphor Bronze
- Plating: Au Plating on contact area  
Sn(100u"Min) plating on solder Tail.  
Ni(40u"Min) contact underplating overall.
- Harpoon: Brass
- Plating: Sn(100u"Min) plating on solder Tail.  
Ni(50u"Min) contact underplating overall.

\*Mechanical

- Insertion Force: 45N max.
- Withdrawal Force: 2.5N min.
- Durability: 500cycles

\*Electrical Specification

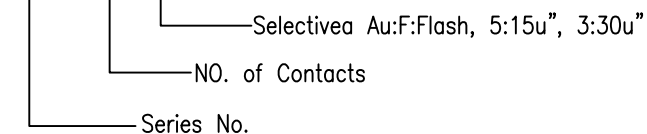
- Current Rating: 1.5 Ampere per contact
- Contact Resistance: 30mΩ max.
- Insulation Resistance: 1000MΩmin.
- Dielectric Withstanding Voltage: 500 VAC

\*Environmental

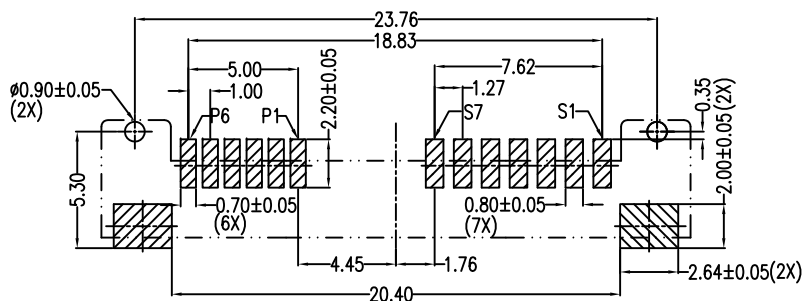
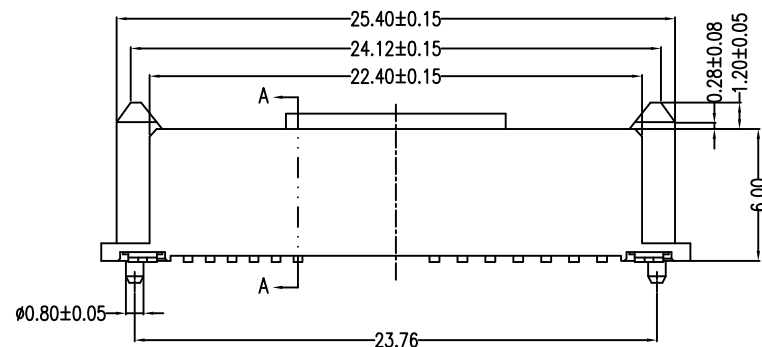
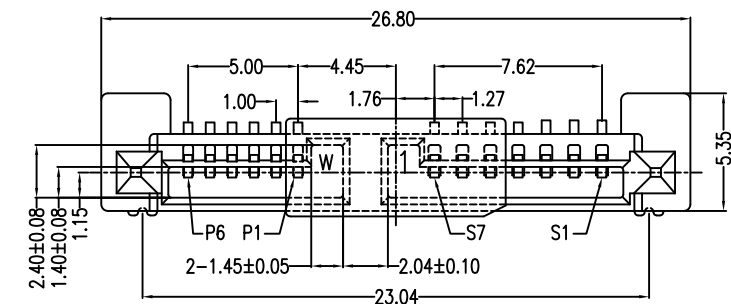
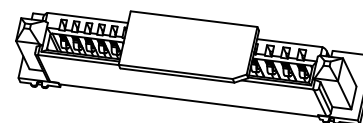
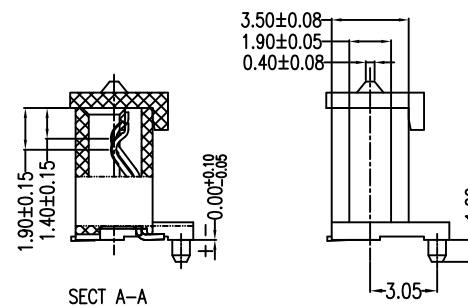
- Operating Temperature: -55°C to +85°C

\*How to Order:

2SAT-F13-VFS-20



Pin NO.	Signal Name	Pin NO.	Power Line Designation
S1	GND	P1	DP
S2	A+	P2	+5V
S3	A-	P3	+5V
S4	GND	P4	MD
S5	B-	P5	GND
S6	B+	P6	GND
S7	GND		



RECOMMENDED PCB LAYOUT  
COMPONENT SIDE

Units	mm	Scale	1:1	Drawing By	Date	SINGATRON U.S.A.			
Tolerance Unless Otherwise Specified				May	06/11'-13				
.X	~	±0.38		Reviewed By	Date	Date	05/28-'13		
.XX	~	±0.25		Sharon	06/11'-13	Sheet	1 of 1	Title	SATA 7+6P SMT Female, Vertical
.XXX	~	±0.20		Approval By	Date	Third Angle Projection			(7.20)
Angle	~	± 3°		Jason	06/13'-13	Drawing No.	2SAT-F13-VFS-20	REV	C