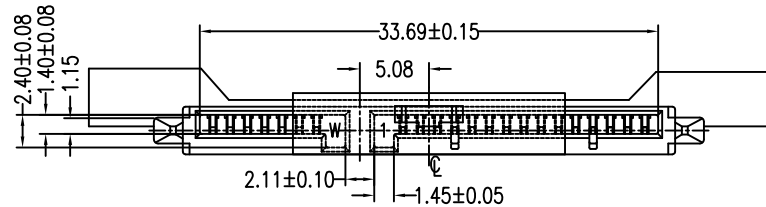


REV.	ECN.NO.	DATE
A	RELEASED	09/14/09
B	Change Withdrawal Force: 10N Min → 4N Min.	01/21-'11



Signal Segment	
Name	Type
S1	GND
S2	A+
S3	A-
S4	GND
S5	B-
S6	B+
S7	GND

Power Segment			
Name	Type	Name	Type
P1	V33	P9	V5
P2	V33	P10	GND
P3	V33	P11	DAS/DSS
P4	GND	P12	GND
P5	GND	P13	V12
P6	GND	P14	V12
P7	V5	P15	V12
P8	V5		

Notes:

*Material

Housing: LCP+50%G.F,UL 94V-0 Rated,Color: Black.;
 Contact: Phosphor Bronze
 Plating: Au plating on contact area, Sn(100u" min.) plating on solder tail, Ni(40u" min.) underplating overall
 Screw: Fe Plating over Zn

*Mechanical

Insertion Force: 45N max.
 Withdrawal Force: 4N min.
 Durability: 500 cycles

*Electrical Specification

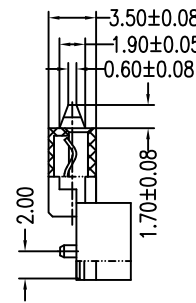
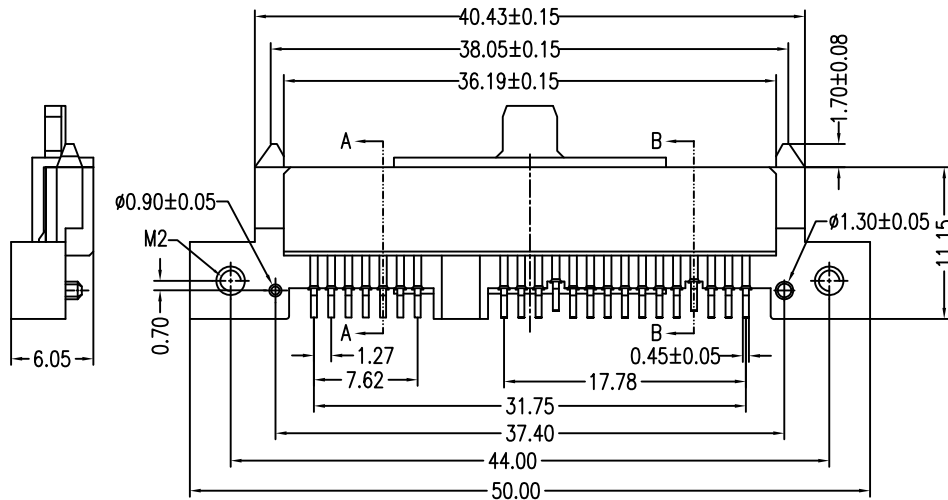
Current Rating: 1.5 Ampere per contact
 Contact Resistance: 30mΩ max.
 Insulation Resistance: 1000MΩ min.
 Dielectric Withstanding Voltage: 500V AC

*Environmental

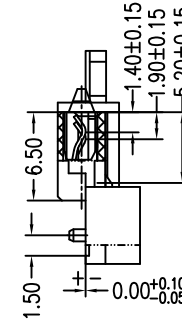
Operating Temperature: -55°C to +85°C

*How to Order:

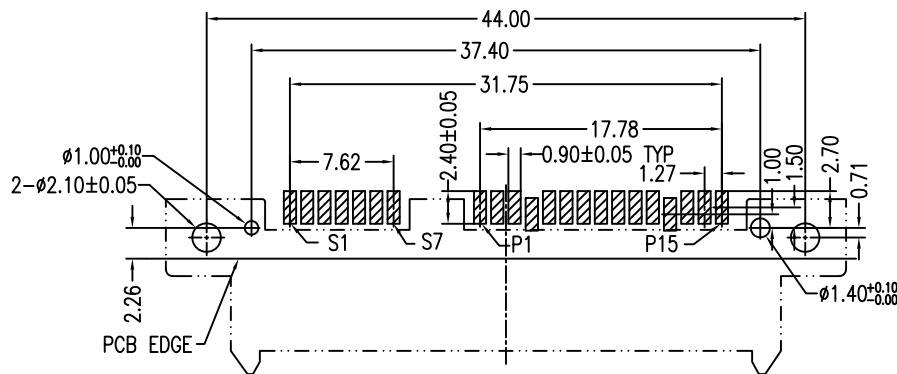
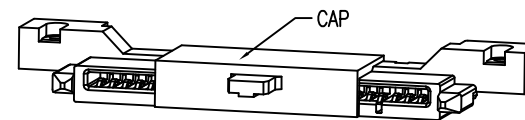
2SAT-F22-R5S-60
 F: >0.8u", 5: 15u", 3: 30u"
 NO. of Contacts
 Series No.



SECT A-A



SECT B-B



P.C.B LAYOUT(T=1.20mm)
 COMPONENT SIDE

Units	mm	Scale	5:3	Drawing By	Data	SINGATRON U.S.A.				
Tolerance Unless Otherwise Specified				Walker	01/21/11'	SATA 7+15P 90° Female Reverse SMT Screw(Subside Type)				
				Reviewed By	Data					
.X ~ ±0.38				Rosh	01/21/11'	Date	01/21-'11	Title	Drawing No. 2SAT-F22-RxS-60	
.XX ~ ±0.25				Approval By	Data	Sheet	1 of 1			
.XXX ~ ±0.20				Roger	01/24/11'	Third Angle Projection		REV	B	
Angle ~ ± 3°										