

REV.	ECN.NO.	DATE
A	RELEASED	02/28-'04
B	Change Harpoon	04/19/13

Notes:

***Material**

Housing: LCP+50%GF UL 94V-0 Rated, Color: Black.
 Contacts: Phosphor Bronze.
 Plating: Au Plating on contact area
 Sn(100u"Min) plating on solder Tail.
 Ni(40u"Min) contact underplating overall.
 Harpoon: Brass
 Sn(100u"Min)Plating Over Ni(50u"Min)

***Electrical Specification**

Operation Voltage: 100 VAC max.
 Current Rating: 1.5 Ampere per contact
 Contact Resistance: 30 mΩ max.
 Insulation Resistance: 1000 MΩmin.
 Dielectric Withstanding Voltage: 500 VAC

***Environmental**

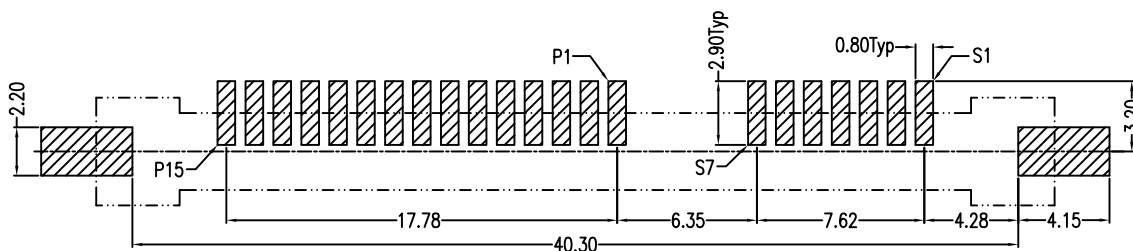
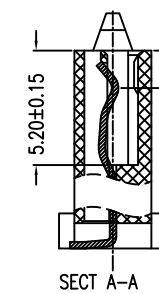
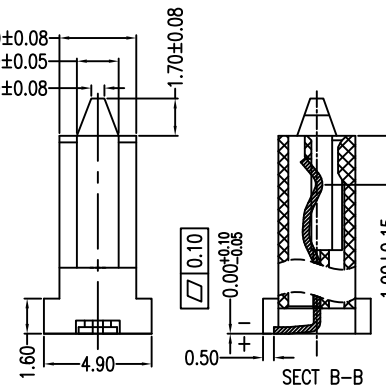
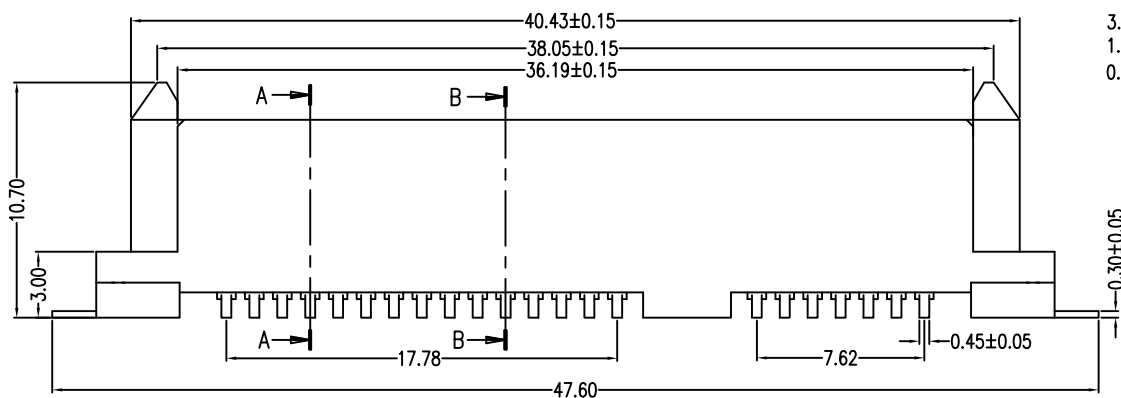
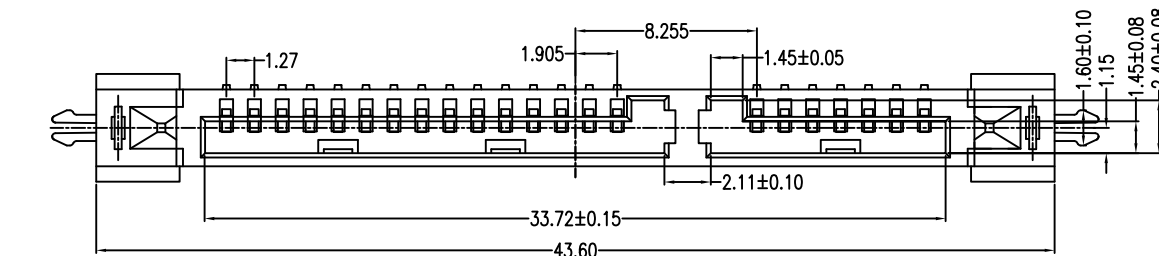
Operating Temperature: -55°C ~ 85°C.

***How to Order:**

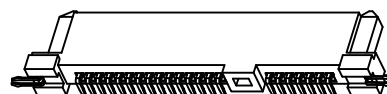
2SAT-F22-V5S-0A
 Au: F:Flash 5:15u"
 Number of Contacts
 Series No.

Signal Segment	
Name	Type
S1	GND
S2	A+
S3	A-
S4	GND
S5	B-
S6	B+
S7	GND

Power Segment			
Name	Type	Name	Type
P1	V3.3	P9	V5
P2	V3.3	P10	GND
P3	V3.3	P11	DAS/DSS
P4	GND	P12	GND
P5	GND	P13	V12
P6	GND	P14	V12
P7	V5	P15	V12
P8	V5		



PCB LAYOUT
COMPONENT SIDE



Units	mm	Scale	1:1	Drawing By	Date	SINGATRON U.S.A.				
Tolerance Unless Otherwise Specified				May	04/19/13	Date	04/19/13	Title	SATA 7+15P SMT (Post SMT) Female	
.X	~	±0.38		Reviewed By	Date	Sheet	1 of 1			
.XX	~	±0.25		Sharon	04/19/13	Third Angle Projection				
.XXX	~	±0.20		Approval By	Date	Drawing No.		2SAT-F22-V5S-0A	REV	B
Angle	~	± 3°		Jason	04/19/13					