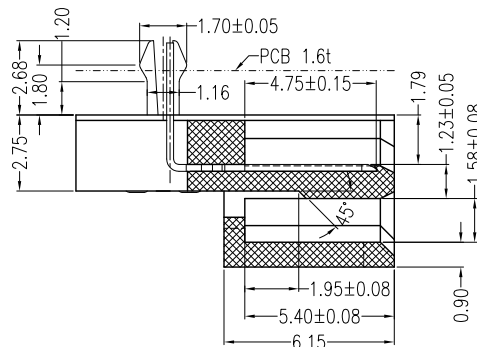
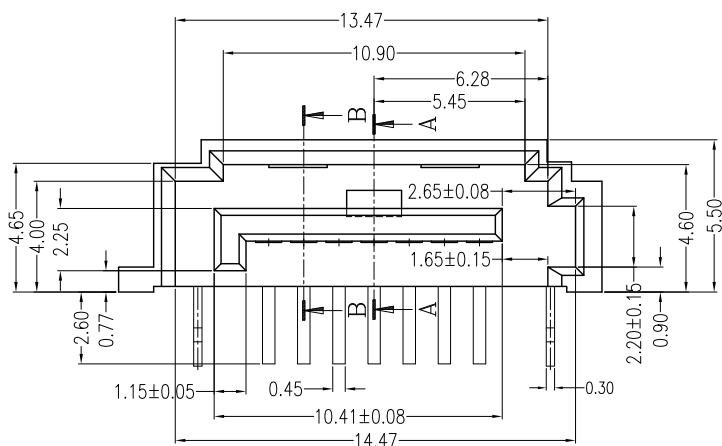
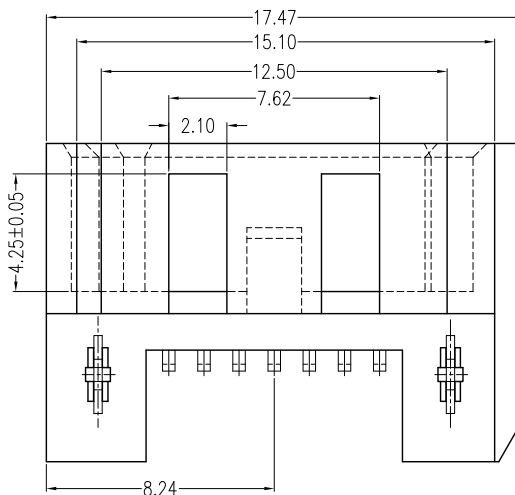
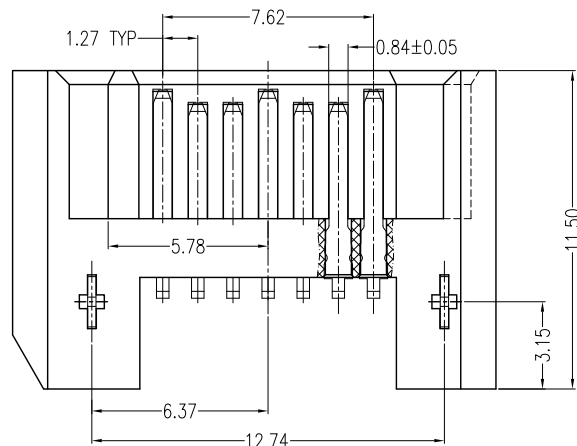
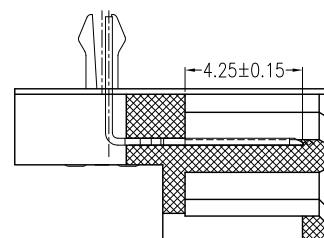


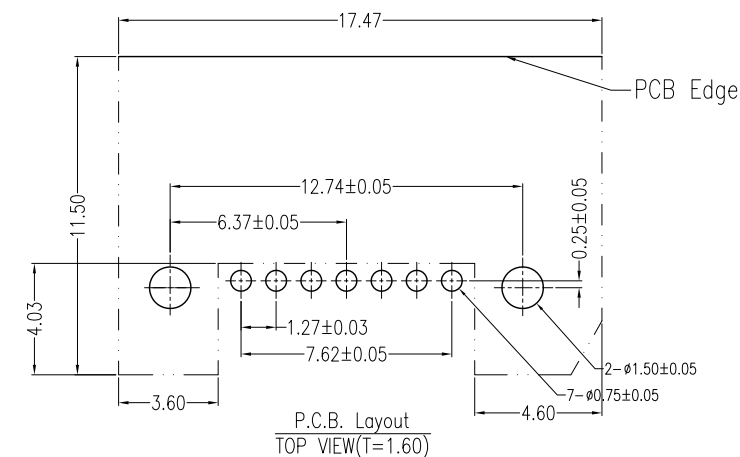
REV.	ECN.NO.	DATE
A	RELEASED	04/19/04
E	Add PCB Edge line & Tolerance	12/13/07
F	Add Color(White)	07/06/10



SECT A-A



SECT B-B



NOTES:

***Material:**

Housing: LCP & Nylon46, UL 94V-0 rated,
 Color: Black & Yellow & White
 Contact: Phosphor Bronze.
 Plating: Gold Plating Over Nickel(40~80u") on Contact Area; Tin(100~250u") Plating on Solder Tail.

***Mechanical:**

Insertion Force: 45N max.
 Withdrawal Force: 10N min.
 Durability: 500 Cycles.

***Electrical Specification:**

Current Rating: 1.5 Ampere per contact;
 Contact Resistance: 30 MΩ max.
 Insulation Resistance: 1000 MΩ min.
 Dielectric Withstanding Voltage: 500 V AC.

***Environmental:**

Operating Temperature: -55°C to +85°C

***How to order:**

2SAT-M07-R5D-D0
 Blank:Black
 F:Yellow(810C)
 3:White
 Gold F:Flash 1:15u" 3:30u"
 NO. of Contacts
 Serial ATA for Card

Units	mm	Scale	1:1	Drawing By	Data	SINGATRON U.S.A.				
Tolerance Unless Otherwise Specified				Lulu	07/06/10	Date	07/06/10	Title	Serial ATA 7P Two Hole Latch, DIP Type Male	
.X	~	±0.38		Reviewed By	Data	Sheet	1 of 1			
.XX	~	±0.20		Sharon	07/06/10	Third Angle Projection				
.XXX	~	±0.15		Approval By	Data					
Angle	~	± 3°		Jason	07/06/10	Drawing No.	2SAT-M07-R5D-D0	REV	F	