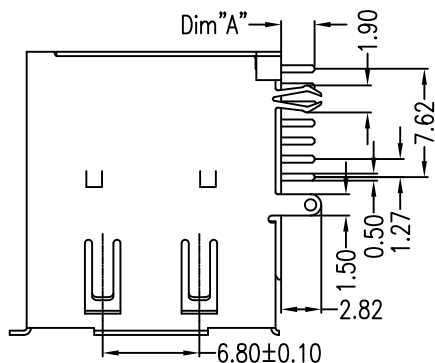


REV.	ECN.NO.	DATE
A	RELEASED	04/28-'06
F	Modify Singel name	03/29-'12
G	Add Color:Blue297C	12/03-'12



Signal Name	
Pin Number	eSATA
S1	GND
S2	A+
S3	A-
S4	GND
S5	B-
S6	B+
S7	GND

NOTES:

***Material**

Housing: Nylon46+30%G.F.,UL 94-0 Rated
 Shell: Brass
 Plating: Ni(40u" Min.) Plating .
 Contact: Brass
 Plating: Au plating on contact area;
 Sn(100u" Min.) plating on solder tail;
 Ni(40u" Min.) underplating overall.

***Mechanical**

Insertion Force: 4.08Kg Max.
 Withdrawal Force: 1.02Kg Min.
 Durability: 2500 Cycles

***Electrical Specification**

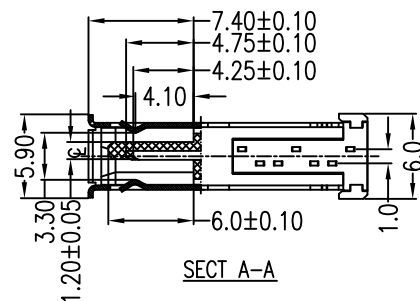
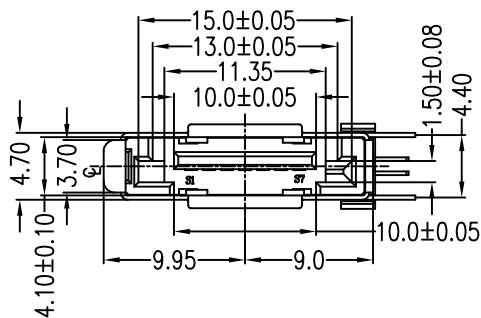
Current Rating: 1.5 Ampere Per Contact
 Contact Resistance: 30 mΩ Max.
 Insulation Resistance: 1000 MΩ Min.
 Dielectric Withstanding Voltage: 500V AC.

***Environmental**

Operating Temperature : -55°C To +85°C.

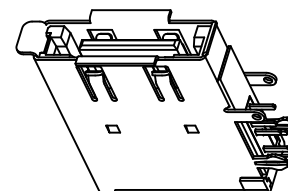
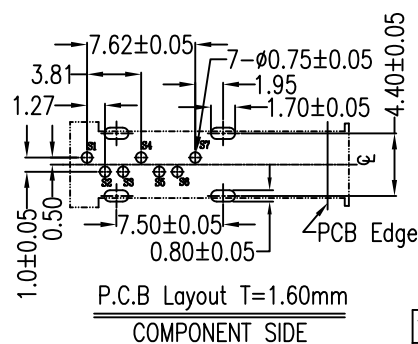
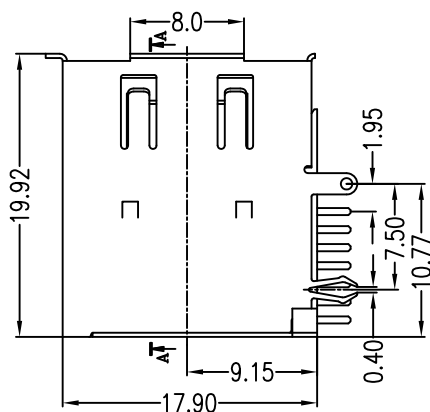
***How To Order:**

2SAT-M07-R5D-V0
 ————— SATA Series
 ————— Number of contacts
 ————— Au F:Flash 1:5u" 5:15u"
 ————— 1:DIP(3.10mm); 0:DIP(2.35mm)
 ————— B:Black Y:Yellow(810C)
 ————— Blank:Red(187C) F:Blue(297C)



Unit:mm

Standard	Dim A
2SAT-M07-R5D-V0	2.35
2SAT-M07-R5D-V1	3.10



Units	mm	Scale	1:1	Drawing By	Date	SINGATRON U.S.A.					
Tolerance Unless Otherwise Specified				Chris	12/03-'12	eSATA Upright DIP Type Male					
.X	~	±0.38		Reviewed By	Date						
.XX	~	±0.25		Sharon	12/04-'12	Date	12/03-'12	Title	eSATA Upright DIP Type Male		
.XXX	~	±0.20		Approval By	Date	Sheet	1 of 1				
Angle	~	± 3°		Jason	12/10-'12	Third Angle Projection		Drawing No.	2SAT-M07-R5D-V0	REV	G