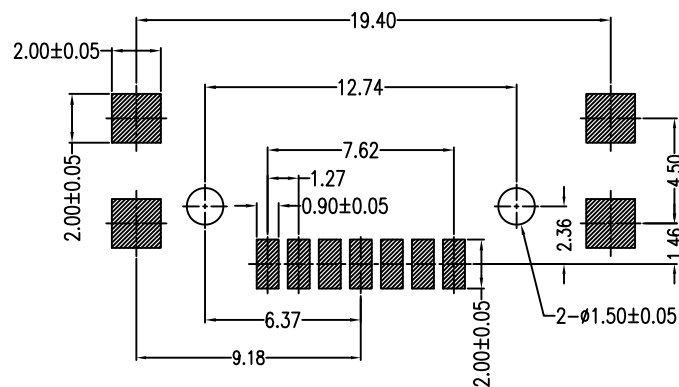
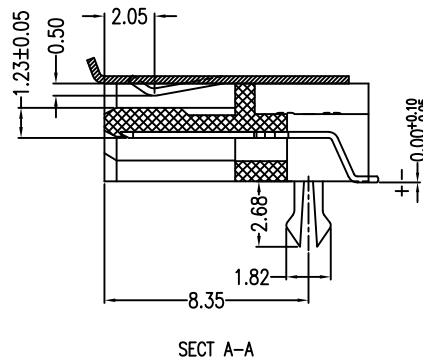
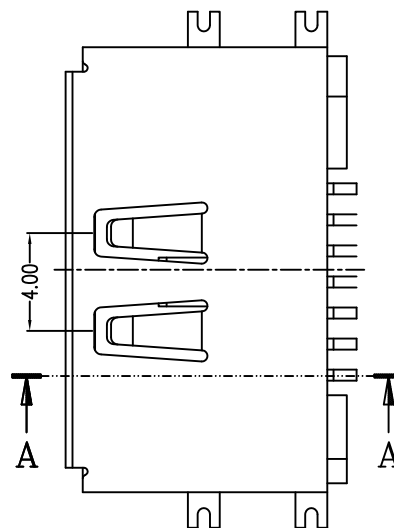
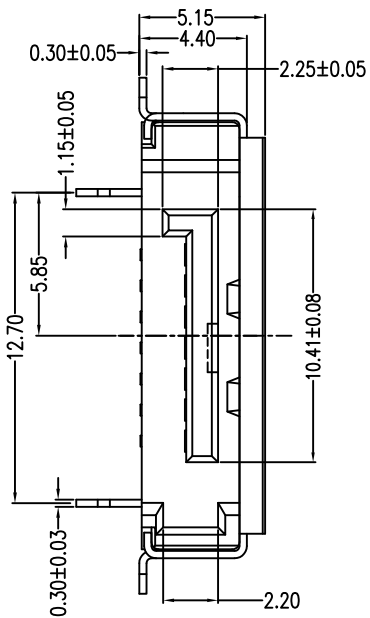
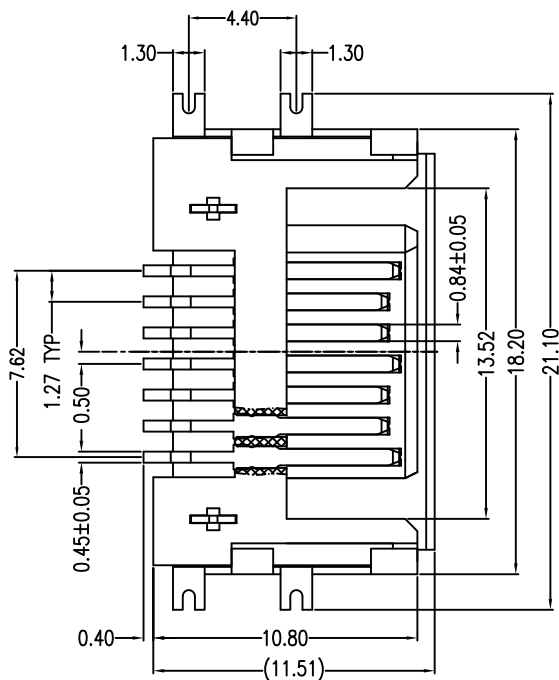


REV.	ECN.NO.	DATE
A	RELEASED	07/08/03
C	Revise Scale	01/16/06
D	Add PCB Thickness	11/18/14



PCB LAYOUT(T=1.60mm)
COMPONENT SIDE

NOTES:

***Material**

Housing: LCP, UL 94V-0 Rated; Color:Black.

Contact: Phosphor Bronze

Plating: Au plating on contact area;

Sn(100u" Min.) plating on solder tail;

Ni(40u" Min.) underplating overall.

Harpoon: Brass

Plating: Sn(100u" Min.) plating over Ti(50u" Min.)

Shell: Brass; Ti(40u" Min.) Plating Overall.

***Mechanical**

Insertion Force: 45N Max.

Withdrawal Force: 10N Min.

Durability: 50 cycles

***Electrical Specification**

Current Rating: 1.5 Ampere per contact

Contact Resistance: 30mΩ Max.

Insulation Resistance: 1000MΩ Min.

Dielectric Withstanding Voltage: 500V AC

***Environmental**

Operating Temperature: -55°C to +85°C

***How to order:**

2SAT-M07-R5S-50

Au: F:Flash; 5:15u"; 3:30u"

NO. of Contacts

SATA for Card

Units	mm	Scale	Drawing By	Date	SINGATRON U.S.A.						
			Jack	11/18-'14							
Tolerance Unless Otherwise Specified			Reviewed By	Date	Date	11/18-'14	Title	SATA 7 Pin Sandard 90° SMT Type, Shielding			
.X	~	±0.35	Sharon	11/18-'14	Sheet	1 of 1					
.XX	~	±0.25	Approval By	Date	Third Angle Projection			Drawing No.	2SAT-M07-R5S-50	REV	D
.XXX	~	±0.15	Jason	11/20-'14							
Angle	~	± 3°									