

REV.	ECN.NO.	DATE
A	RELEASED	07/16/08

NOTES:

***Material**

Housing: LCP(Black),UL 94-0 Rated;
 Contact: Brass;
 Plating: Gold plating over Nickel on contact area; Tin Plating on Solder Tail.

***Mechanical**

Insertion Force: 2550g max;
 Withdrawal Force: 710g min;
 Durability: 2500 cycles.

***Electrical Specification**

Operation Voltage:100 VAC max.
 Current Rating: 1.5 Ampere per contact
 Contact Resistance: 30m OHM MAX
 Insulation Resistance: 1000M OHM MIN
 Dielectric Withstanding Voltage:500VAC.

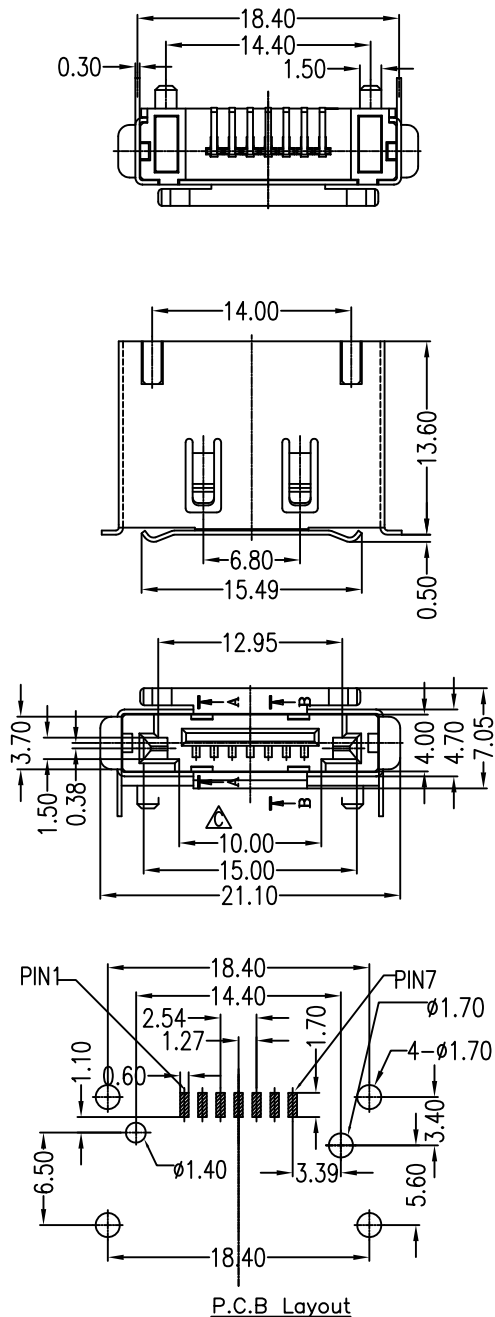
***Environmental**

Operating Temperature : -55°c to +125°c.

***How to order:**

2SAT-M07-R5S-R2

Gold F:Flash 1:5u" 2:10u"
 5:15u" 3:30u"
 Number of contacts



Units	mm	Scale	1:1	Drawing By	Data	SINGATRON U.S.A.				
Tolerance Unless Otherwise Specified				Amy	07/16/08					
.X ~ ±0.38				Reviewed By	Data	Date	07/16/08			Title SATA II 7Pin Right Angle Reverse SMT Single Spring
.XX ~ ±0.25				Sharon	07/16/08	Sheet	1 of 1			
.XXX ~ ±0.20				Approval By	Data	Third Angle Projection				
Angle ~ ± 3°				Jason	07/16/08	Drawing No.		2SAT-M07-R5S-R2	REV	A