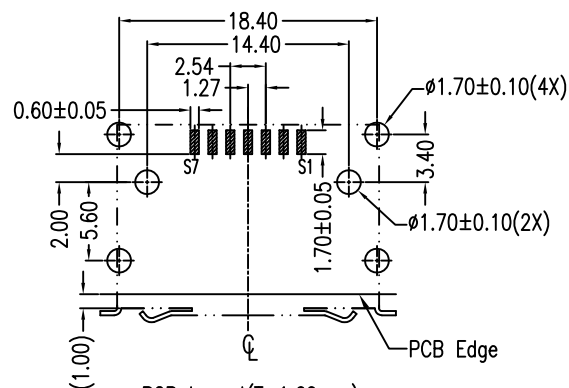
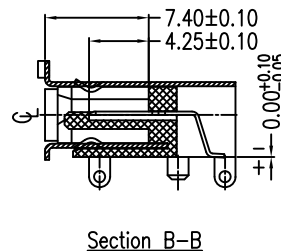
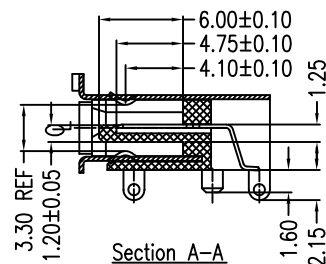
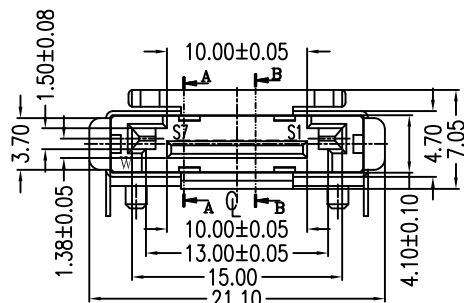
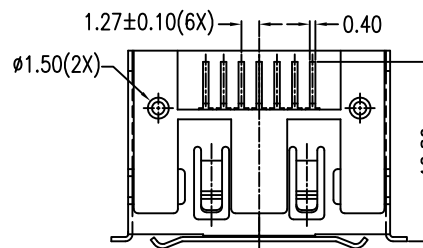
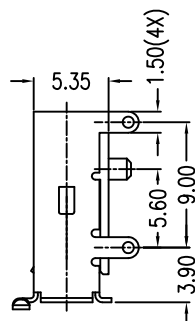
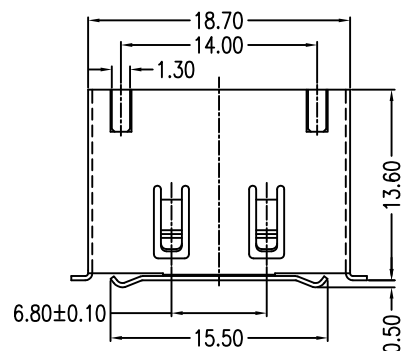
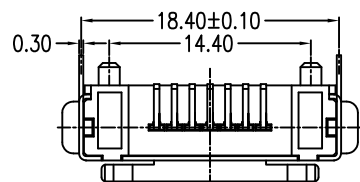


REV.	ECN.NO.	DATE
A	RELEASED	06/21-'05
C	Modify dimension, Add PIN Signal Define	11/16-'10
D	Modify Packing Code	11/21-'12



PCB Layout(T=1.60mm)
COMPONENT SIDE

PIN Signal Define	
PIN NO.	Signal Name
S1	GND
S2	A+
S3	A-
S4	GND
S5	B-
S6	B+
S7	GND

NOTES:

***Material**

Housing: LCP+50%G.F, UL 94V-0 Rated;
Contact: Brass;
Plating: Au plating on contact area,
Sn(100u" Min) Plating on Solder Tail,
Ni(40u" Min) underplating over all.

***Mechanical**

Insertion Force: 40N Max;
Withdrawal Force: 10N Min;
Durability: 2500 cycles.

***Electrical Specification**

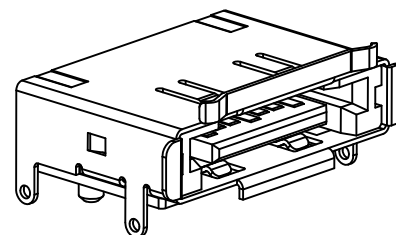
Operation Voltage:100V AC Max;
Current Rating: 1.5 Ampere per contact;
Contact Resistance: 30mΩ Max;
Insulation Resistance: 1000MΩ Min;
Dielectric Withstanding Voltage: 500V AC.

***Environmental**

Operating Temperature : -55°c to +85°c.

***How to order:**

2SAT-M07-R5S-RS
 ↳ SATA Series
 ↳ Number of contacts
 ↳ Au F:FLASH 5:15u" 3:30u"
 ↳ S:SMT



Units	mm	Scale	5:3	Drawing By	Date	SINGATRON U.S.A.			
Tolerance Unless Otherwise Specified				May	11/21-'12				
.X	~	±0.38		Reviewed By	Date	Date	11/16-'10	Title	ESATA 7Pin Right Angle Standard SMT Single Spring
.XX	~	±0.25		Sharon	11/21-'12	Sheet	1 of 1		
.XXX	~	±0.20		Approval By	Date	Third Angle Projection			
Angle	~	± 3°		Jason	11/22-'12	Drawing No.	2SAT-M07-R5S-RS	REV	D