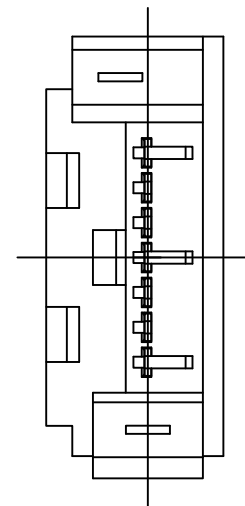
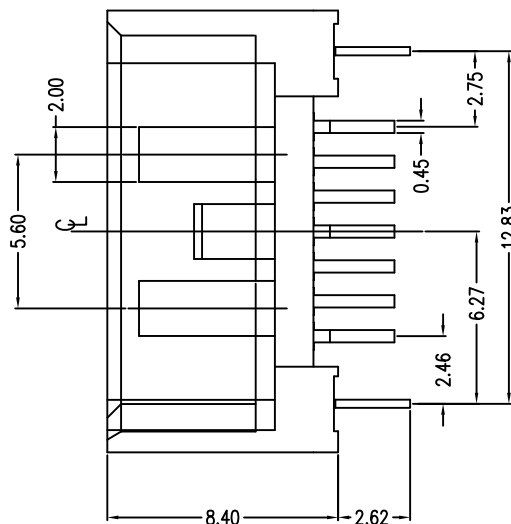
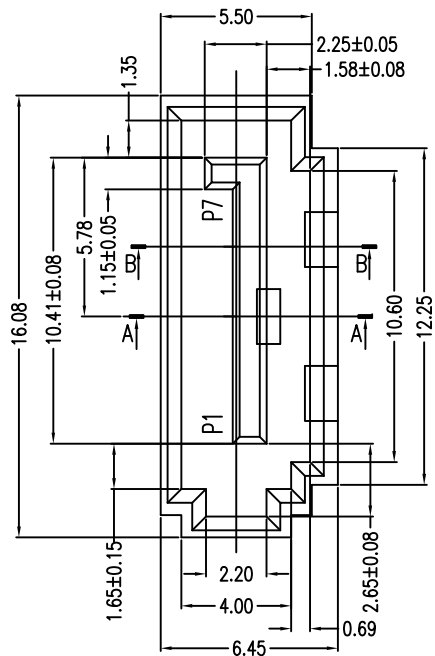


REV.	ECN.NO.	DATE
A	RELEASED	08/28/03
I	Modify DIM	01/19/08
J	Add Color	05/11/09



NOTES:

***Material**

Housing: Nylon46+30%G.F, UL 94V-0 rated, Color: Black.
 Contact: Brass;
 Plating: Gold Plating Over Nickel on Contact Area; Tin Plating on Solder Tail.

***Mechanical**

Insertion Force: 45N Max.
 Withdrawal Force: 10N Min.
 Durability: 500 Cycles.

***Electrical Specification**

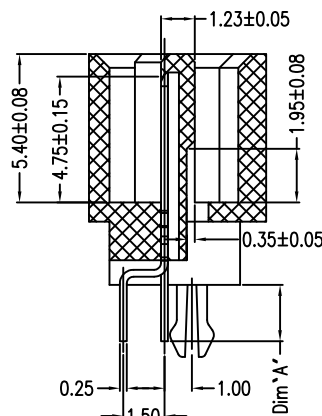
Current Rating: 1.5 Ampere per contact;
 Contact Resistance: 30 Milliohms max.
 Insulation Resistance: 1000 megohms min.
 Dielectric Withstanding Voltage: 500 V DC.

***Environmental**

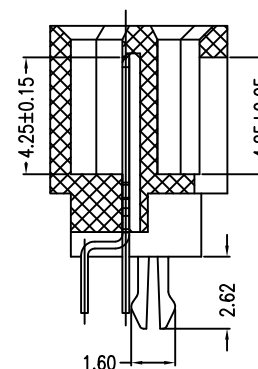
Operating Temperature: -55°C to +85°C.

Unit: mm

Part Number	Dim 'A'
2SAT-M07-VFD-50	2.15~2.30
2SAT-M07-VFD-51	2.80

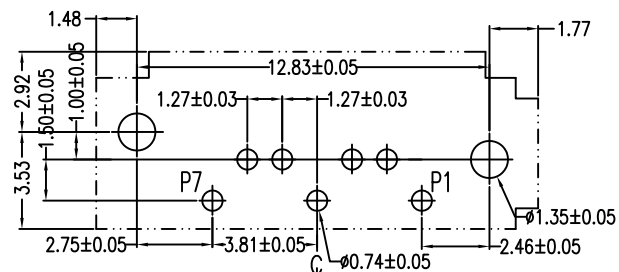
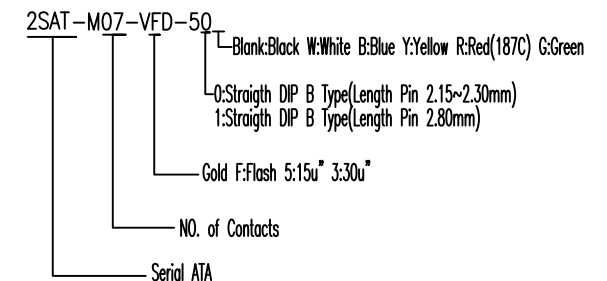


SECT A-A



SECT B-B

***How to Order**



P.C.B. Layout (T=1.60mm)
Top View

Units	mm	Scale	Drawing By	Date	SINGATRON U.S.A.			
Tolerance Unless Otherwise Specified			Jimmy	05/11/09	Date	05/11/09	Title	SATA 7P Straight DIP B Type Shield (Two Hold) Male
.X	~	±0.38	Reviewed By	Date	Sheet	1 of 1		
.XX	~	±0.25	Sharon	05/11/09	Third Angle Projection			
.XXX	~	±0.20	Approval By	Date				
Angle	~	± 3°	Jason	05/11/09	Drawing No.	2SAT-M07-VxD-5xx	REV	J