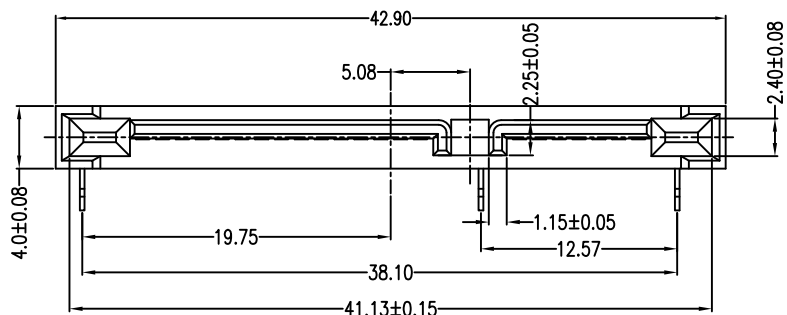


REV.	ECN.NO.	DATE
A	RELEASED	05/19-'03
E	Cancel the glass fiber	10/15-'13
F	Modify View	06/04-'14



Signal Segment	
Name	Type
S1	GND
S2	A+
S3	A-
S4	GND
S5	B-
S6	B+
S7	GND

Power Segment			
Name	Type	Name	Type
P1	V3.3	P9	V5
P2	V3.3	P10	GND
P3	V3.3	P11	DAS/DSS
P4	GND	P12	GND
P5	GND	P13	V12
P6	GND	P14	V12
P7	V5	P15	V12
P8	V5		

NOTES:

***Material**

Housing: LCP UL 94V-0 rated, Color: Black;
 Contact: Brass;
 Plating: Au Plating on contact area,
 Sn (100u"Min) plating on solder tail,
 Ni (40u"Min) underplating overall;
 Harpoon: Brass
 Plating: Sn (100u"min.) plating over.
 Ni (50u"min.) underplating overall.

***Electrical Specification**

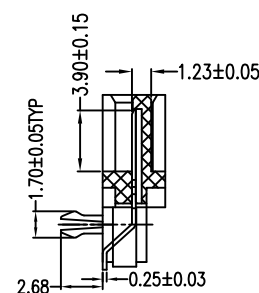
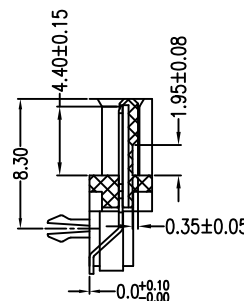
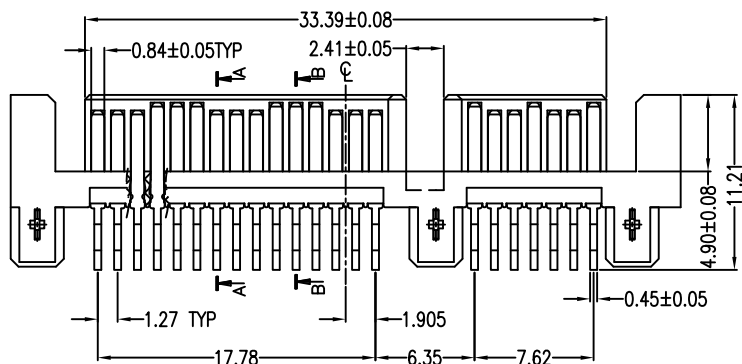
Current Rating: 1.5 Ampere per contact;
 Contact Resistance: 30 Milliohms max.
 Insulation Resistance: 1000 Megohms min.
 Dielectric Withstanding Voltage: 500V AC.

***Environmental**

Operating Temperature: -55°C to +85°C

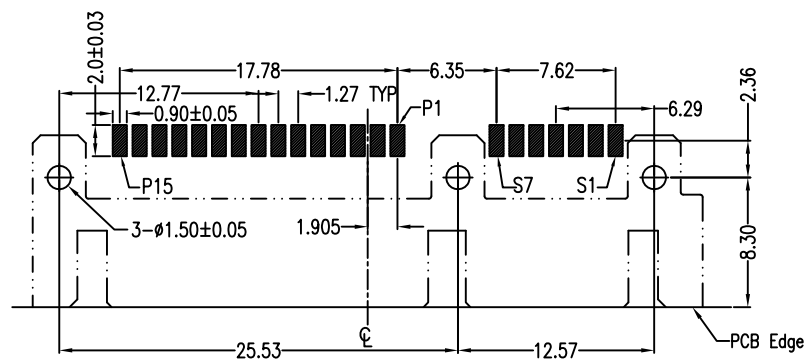
***How to order:**

2SAT-M22-R5S-00
 Au F:Flash 5:15u" 3:30u"
 Number Of Contacts(7+15)
 Series NO.:SATA For H.D

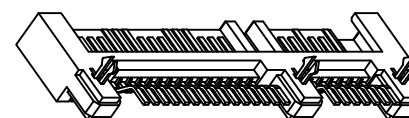


SECT B-B

SECT A-A



P.C.B LAYOUT(T=1.60mm)
COMPONENT SIDE



Units	MM	Scale	Drawing By	Date	SINGATRON U.S.A.			
			Jack	06/04-'14	Date	06/04-'14	Title	SATA 7+15P Standard SMT Type (Male)
Tolerance Unless Otherwise Specified			Reviewed By	Date	Sheet	1 of 1		
.X	~	±0.35	Sharon	06/05-'14	Third Angle Projection			
.XX	~	±0.25	Approval By	Date	Drawing No.			2SAT-M22-R5S-00
.XXX	~	±0.15	Jack	06/11-'14	REV			F
Angle	~	± 3°						