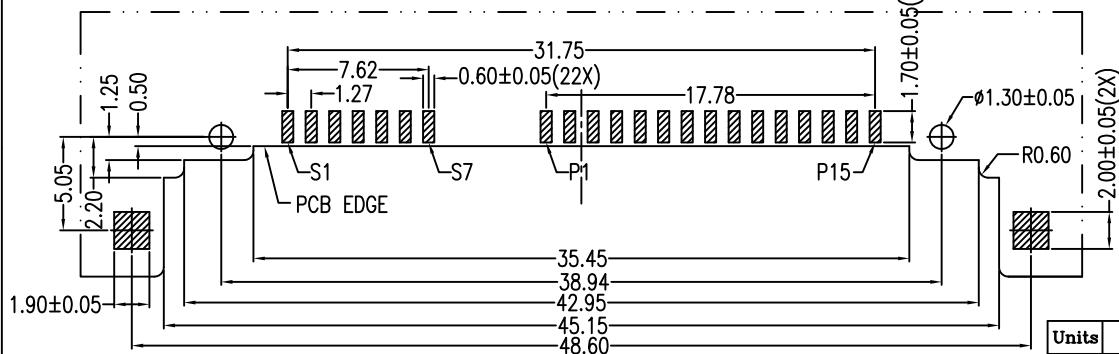
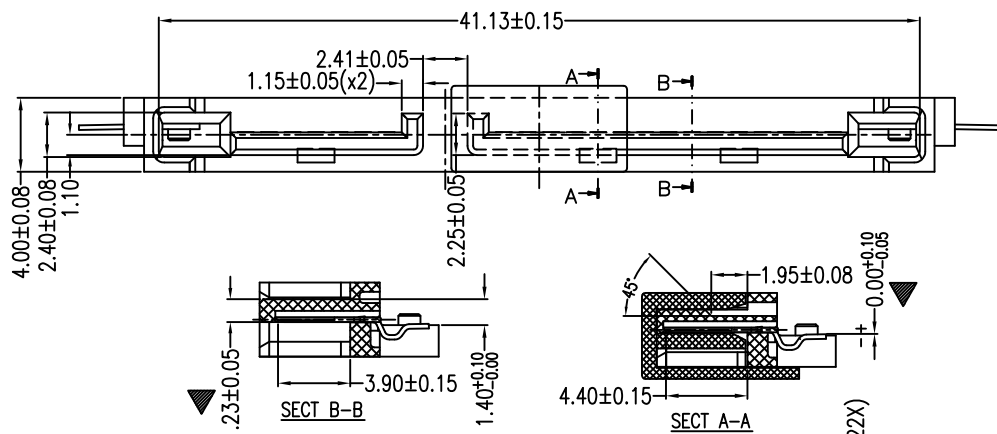
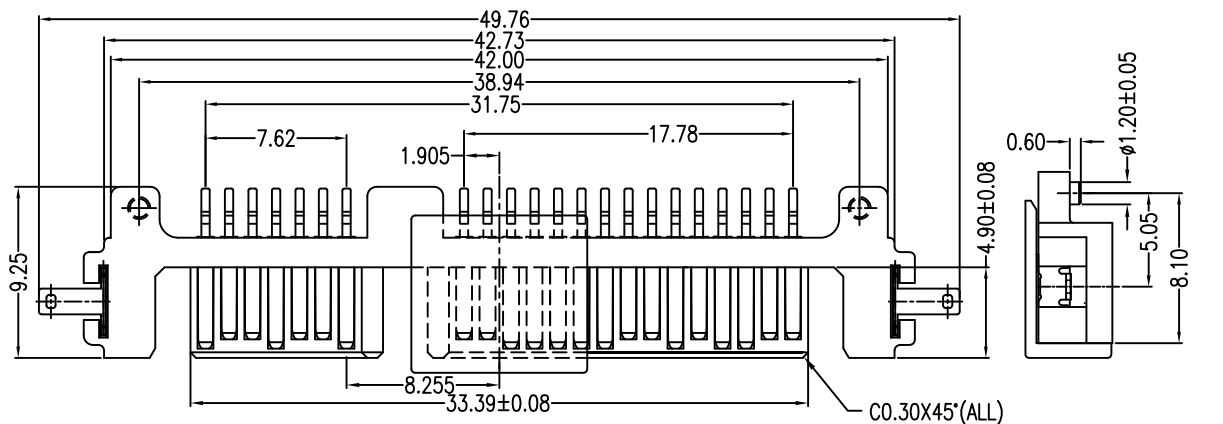


REV.	ECN.NO.	DATE
A	RELEASED	05/03-'11
D	Cancel the glass fiber	10/15-'13
E	Change VIEW	01/13-'14



PCB LAYOUT(T=1.60)
COMPONENT SIDE

Power Segment	
Name	Type
P1	V3.3
P2	V3.3
P3	V3.3
P4	GND
P5	GND
P6	GND
P7	V5
P8	V5
P9	V5
P10	GND
P11	DAS/DSS
P12	GND
P13	V12
P14	V12
P15	V12

Signal Segment	
Name	Type
S1	GND
S2	A+
S3	A-
S4	GND
S5	B-
S6	B+
S7	GND



NOTES:

***Material**

Housing: LCP UL 94V-0 rated, Color: Black;
 Contact: Brass;
 Plating: Au Plating on contact area
 Sn(100u"Min) plating on solder Tail.
 Ni(40u"Min) contact underplating overall.
 Harpoon: Brass;
 Plating: Sn(100u"Min)Plating Over Ni(50u"Min)

***Mechanical**

Insertion Force: 45N max.
 Withdrawal Force: 10N min.
 Durability: 500 cycles

***Electrical Specification**

Current Rating: 1.5 Ampere per contact;
 Contact Resistance: 30mΩ max.
 Insulation Resistance: 1000MΩ min.
 Dielectric Withstanding Voltage: 500 V AC.

***Environmental**

Operating Temperature: -55°C to +85°C

***How to order**

2SAT-M22-R5S-10R
 —R:Reel
 —Au F:Flash 5:15u"
 —Number of Contacts
 —Series No.

Units	mm	Scale	2:1	Drawing By	Date	SINGATRON U.S.A.								
Tolerance Unless Otherwise Specified				Jack	01/13-'14	Date		01/13-'14	Title	Serial ATA 7+15P SMT (Reverse Subside Type) Male(4.00)	Drawing No.	2SAT-M22-R5S-10R	REV	E
.X	~	±0.38		Reviewed By	Date	Sheet	1 of 1							
.XX	~	±0.25		Sharon	01/16-'14	Third Angle Projection								
.XXX	~	±0.20		Approval By	Date									
Angle	~	± 3°		Jason	01/16-'14									