

REV.	DESCRIPTION	DATE
A	RELEASED	05/12-'03
D	Add Platform	08/02-'10
E	Cancel the glass fiber	10/15-'13

NOTES:

***Material:**

Housing: LCP, UL 94V-0 Rated, Color:Black;

Contact: Brass;

Plating: Au plating on contact area;

Sn(100u" Min.)plating on solder tail;

Ni(40u" Min.) underplating overall.

Harpoon: Brass

Plating: Sn(100u"min.)Plating Over Ni(50u"min.)underplating over all

***Electrical Specification:**

Current Rating: 1.5 Ampere Per Contact;

Contact Resistance: 30 Milliohms Max.

Insulation Resistance: 1000 Megohms Min.

Dielectric Withstanding Voltage: 500 VAC.

***Environmental:**

Operating Temperature: -55°C to +125°C

***How to Order:**

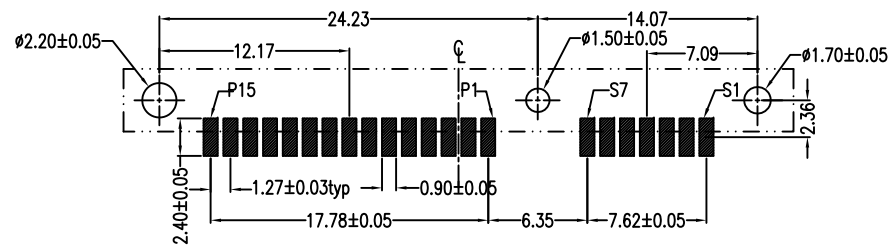
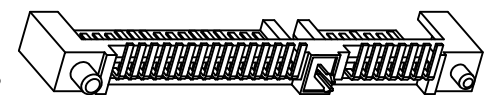
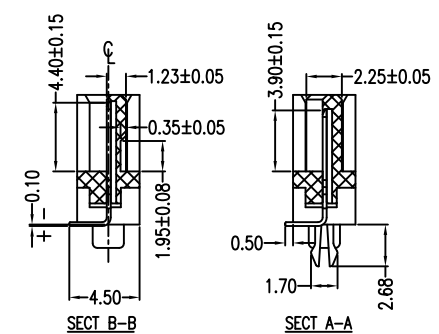
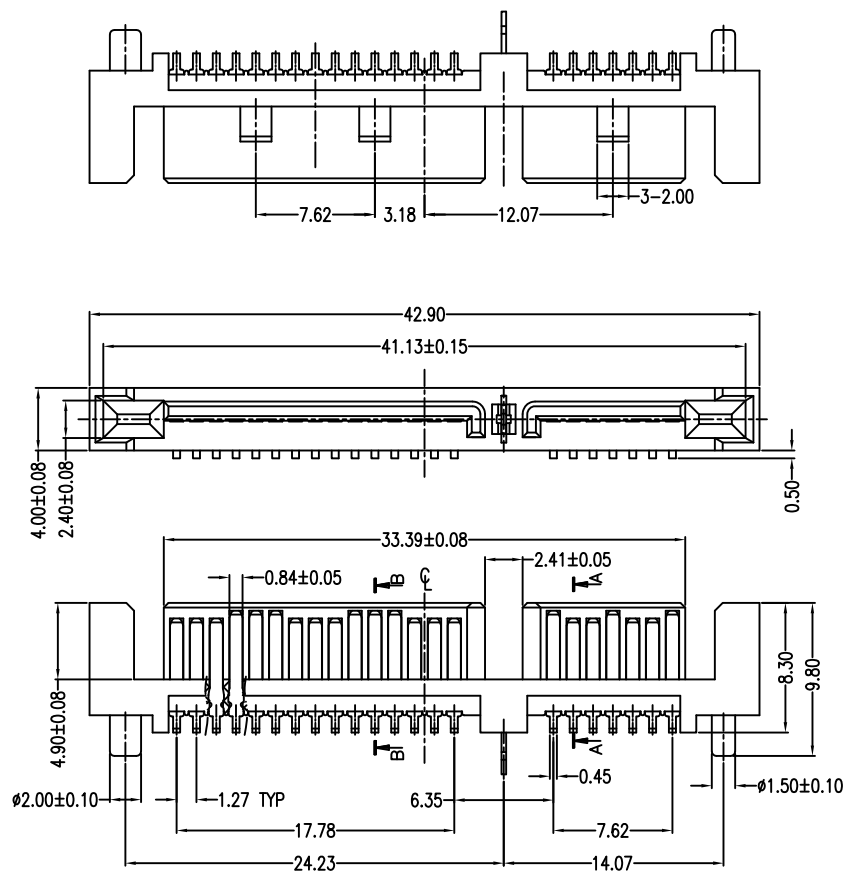
2SAT-M22-V5S-00

Au F:Flash 5:15u" 3:30u"

NO. of Contacts(7+15)

Serial ATA for H.D

Pin NO.	Signal Name	Pin NO.	Power Name	Pin NO.	Power Name
S1	GND	P1	V3.3	P9	V5
S2	A+	P2	V3.3	P10	GND
S3	A-	P3	V3.3	P11	DAS/DSS
S4	GND	P4	GND	P12	GND
S5	B-	P5	GND	P13	V12
S6	B+	P6	GND	P14	V12
S7	GND	P7	V5	P15	V12
		P8	V5		



P.C.B LAYOUT(T=1.60mm)
COMPONENT SIDE

Units	mm	Scale	Drawing By	Date	SINGATRON U.S.A.			
Tolerance Unless Otherwise Specified			Jack	11/15-'13				
.X	~	±0.38	Reviewed By	Date	Date	10/15-'13	Title	Serial ATA 7+15 Pins Straight SMT Type Male
.XX	~	±0.25	Sharon	11/15-'13	Sheet	1 of 1		
.XXX	~	±0.20	Approval By	Date	Third Angle Projection			Drawing No.
Angle	~	± 3°	Jason	11/15-'13	REV			