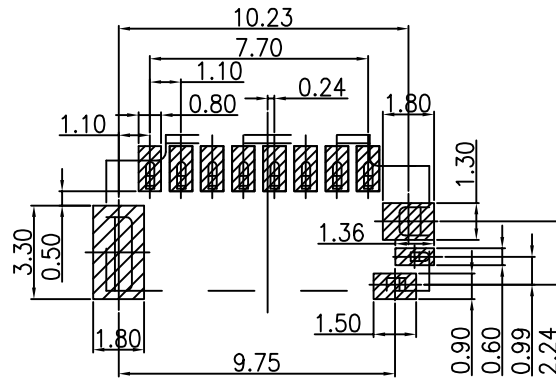
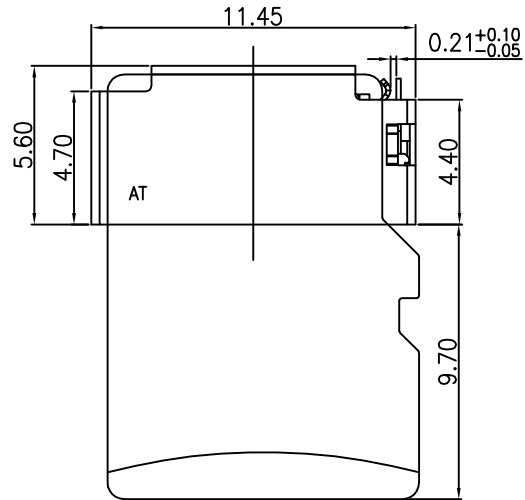
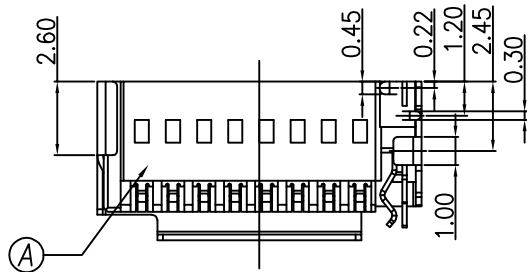
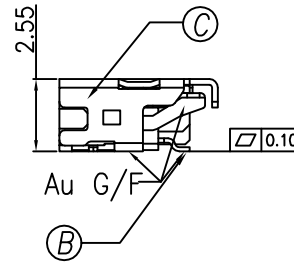
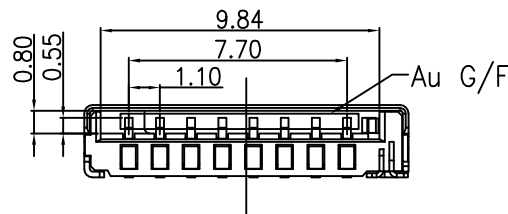


REV.	ECN NO OR DESCRIPTION	REVISED	DATE
A	PDR RELEASE	IVY-C	2015.04.30



RECOMMENDED PCB LAYOUT
TOL:(±0.05)



SPECIFICATIONS:

1. Rated Current:1A Max
2. Rated Voltage:250 VAC rms.
3. Contact Resistance:50mΩ Max
4. Insulation Resistance:100MΩ Min 250V DC
5. Dielectric Withstanding Voltage:500V AC
6. Durability:5000 cycles
7. Operating Condition:Temperature:-55°C~+105°C
8. OTHER GENERAL SPEC. TO REFERSEE "2SD1525 SERIES" SPEC.
9. TO CONFORM TO SINGATRON HAZARDOUS SUBSTANCE FREE SPEC.
10. FOR REFLOW SOLDERING LEAD-FREE PROCESS.
11. HALOGEN FREE PRODUCT IDENTIFICATION LABEL ON PACKAGING:
12. PACKAGE : SEE "2SD1525 SERIES" PACKAGE.

PART NO.
2SD1525-000111F

- SUFFIX: HALOGEN FREE
- PACKAGE
- 1: TAPE & REEL
- HOUSING COLOR
- 1: BLACK
- CONTACT PLATING
- 1: GOLD FLASH ON CONTACT AREA, AND GOLD FLASH ON SOLDER AREA

C	SHELL	1	Stainless Steel	NICKEL PLATED OVERALL GOLD FLASH ON SOLDER AREA
B	CONTACT	8	Copper Alloy	SEE PORT NO.
A	HOUSING	1	High Temperature Thermoplastic, UL94V-0	BLACK
NO	DESCRIPTION	QTY	MATERIAL	PLATING & COLOR
UNLESS OTHERWISE SPECIFIED TOLERANCES		Singatron Enterprise Co., Ltd. 信音企業股份有限公司		
DECIMALS:	ANGLES:	TITLE	SIMPLE T FLASH/MICRO SD CARD CONN.	
X :±0.5	X :±2°	DWN	IVY-C 2015.04.30	PART NO. 2SD1525-000111F
X.X :±0.3	X.X :±1°	CHKD	ANGELA2015.04.30	SCALE:N/A UNIT: mm
X.XX :±0.2		APVD	ANGELA2015.04.30	SIZE: A3 SHEET: 1 OF 1 REV: A
CUSTOMER COPY				