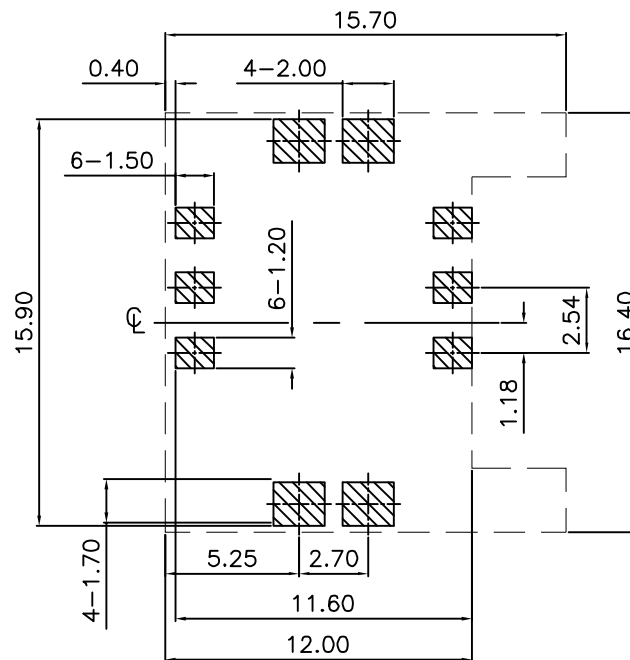
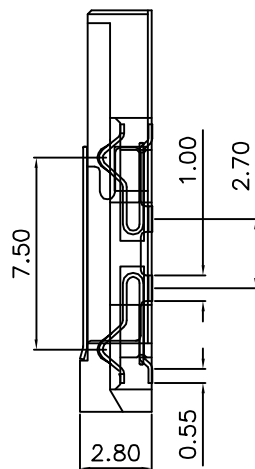
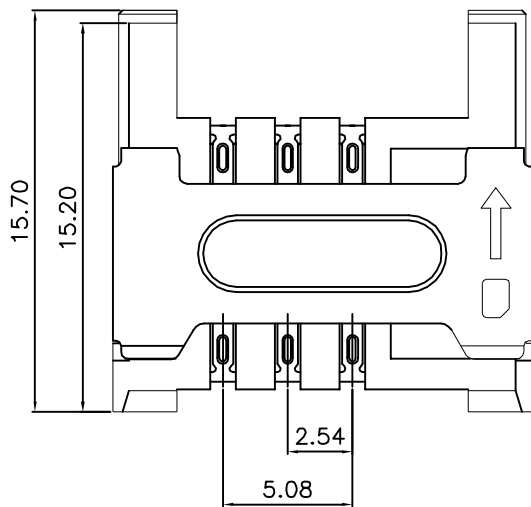
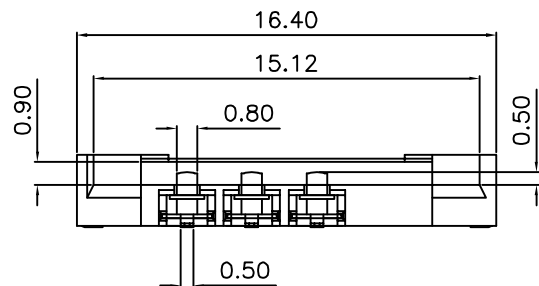


Rev.	Description	Date	Drawn	Checked
A	INITIAL RELEASE	2015.05.10	SWC	



Recommended PCB Layout



1. Material:

Housing: LCP, UL94V-0, Black
Terminal: Phosphor Bronze, Gold Plated On Contact Area.
Tin Plated On Solder Tails.
Nickel Underplated Overall.
Shell: SUS304, Nickel Plated.

2. Specification:

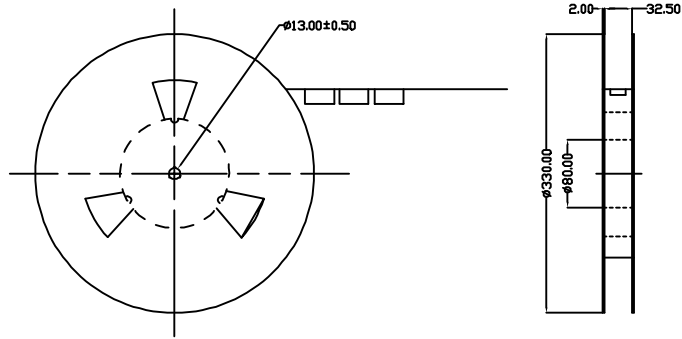
Voltage & Current Rating: 1A, 50V AC
Insulation Resistance: 1000M Ohm. Min.
Dielectric Withstanding Voltage: AC 500V For 1 Minute
Temperature Operation: -40°C To +85°C
Durability: 10000 Cycles Min.
IR Reflow: 260 °C / 15 Seconds Max.

GENERAL TOLERANCE:
.X ±0.30 Ang. ±2°
.XX ±0.25
.XXX ±0.15

Singatron Enterprise Co., Ltd.				
TITLE	SIM Card Connector 6 Pin, H: 2.9 mm			
DWN	SWC	PART NO.	2SIMME-00600B008-1	
CHKD	2015.05.10	SCALE	1:1	UNIT: mm
APVD		SIZE	A3	SHEET: 1 OF 2
REV: A				
CUSTOMER COPY				

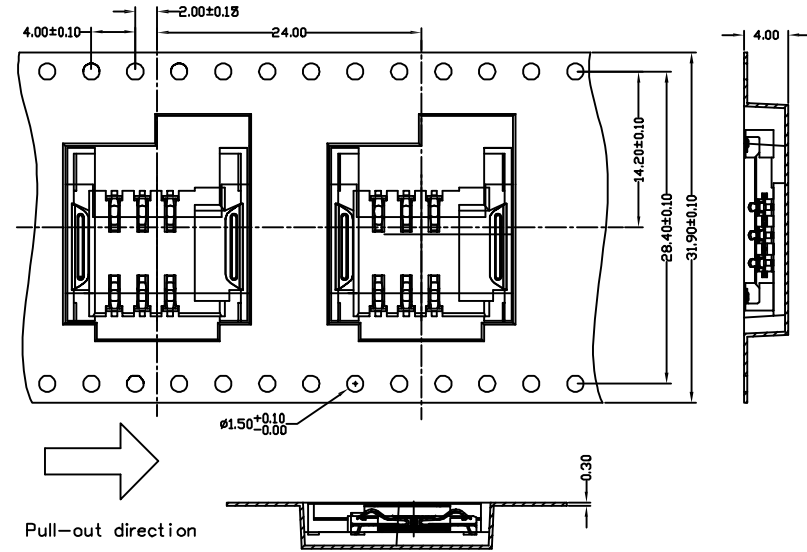
Rev.	Description	Date	Drawn	Checked

*Reel Form Diagram



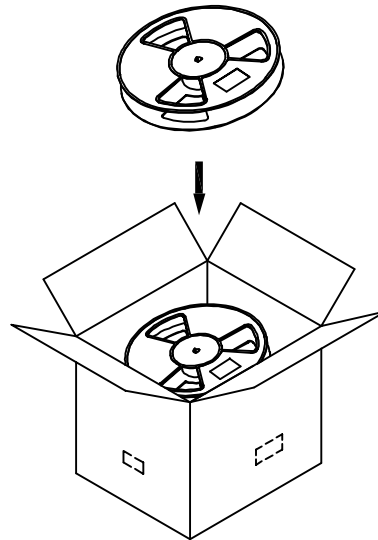
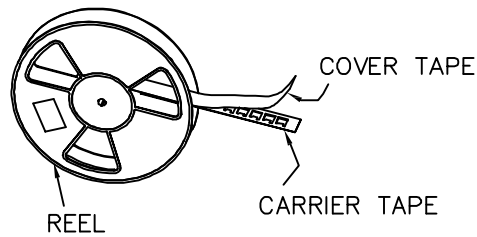
G.W.: 0.85 KGS
Q'ty: 750 pcs per Reel

*Carrier Dimensions Diagram



G.W.: 9.55KGS
Q'ty: 7500Pcs per carton(10 Reels set in order)
Meas: 35.00L×35.00W×31.50H cm

PULL OUR DIRECTION →



GENERAL TOLERANCE:
.X ±0.30 Ang. ±2°
.XX ±0.25
.XXX ±0.15

Singatron Enterprise Co., Ltd. 信音企業股份有限公司			
TITLE	SIM CARD CONNECTOR 6PIN PACKING		
DWN	SHC	PART NO.	2SIMME-00600B008-1
CHKD	SCALE 1:1	UNIT:	mm
APVD	SIZE: A3	SHEET: 2 OF 2	REV:
CUSTOMER COPY			