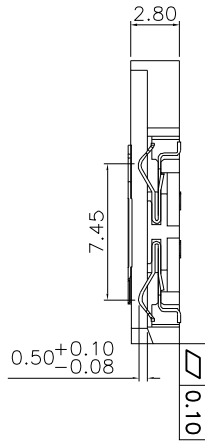
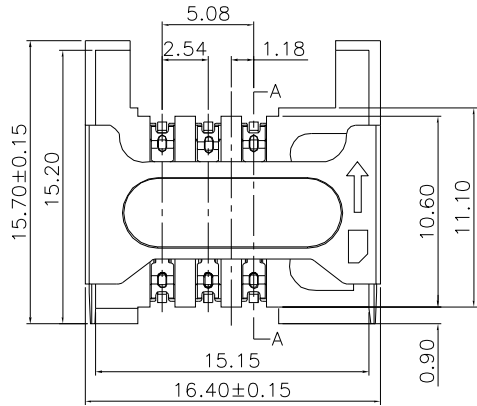
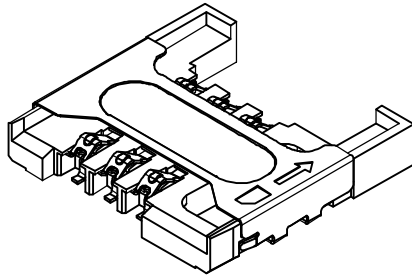
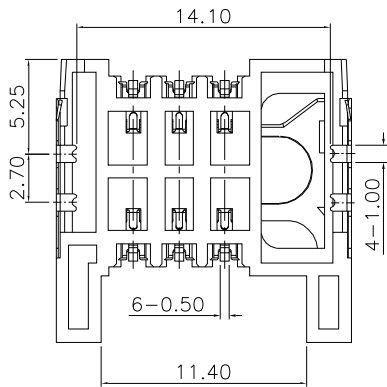
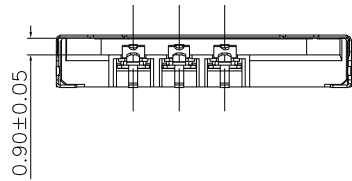


1 2 3 4 5 6 7 8

Rev.	Description	Date	Drawn	Checked
A	INITIAL RELEASE	2014.04.17	SWC	



Section A-A



1. Material:

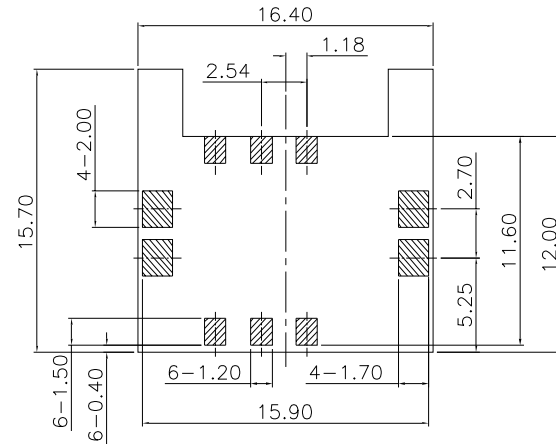
Housing: LCP, UL94V-0
 Contact: Phosphor Bronze, Gold Plated On Contact Area.
 Tin Plated On Solder Tails.
 Nickel Underplated Overall.

2. Specifications:

Voltage & Current Rating: 50V, 1A AC
 Insulation Resistance: 1000 Megaohms.
 Dielectric Withstanding Voltage: AC 500V For 1 Minute
 Temperature Operation Rating: -40°C To +85°C
 Durability: 10000 Cycles Min.

3. Part No.:

2SIMME-00600B628



Recommended PCB Layout

Tolerance: ±0.05 mm

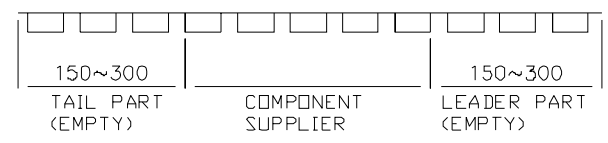
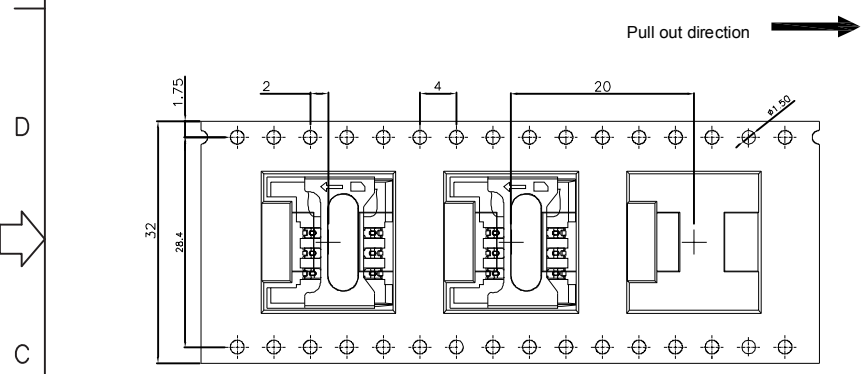
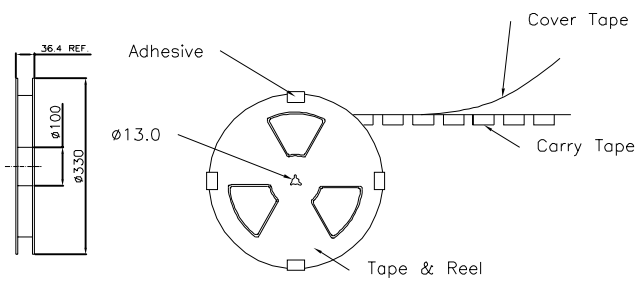
Singatron Enterprise Co., Ltd.

GENERAL TOLERANCE:
 .X ±0.30 Ang. ±2°
 .XX ±0.25
 .XXX ±0.15

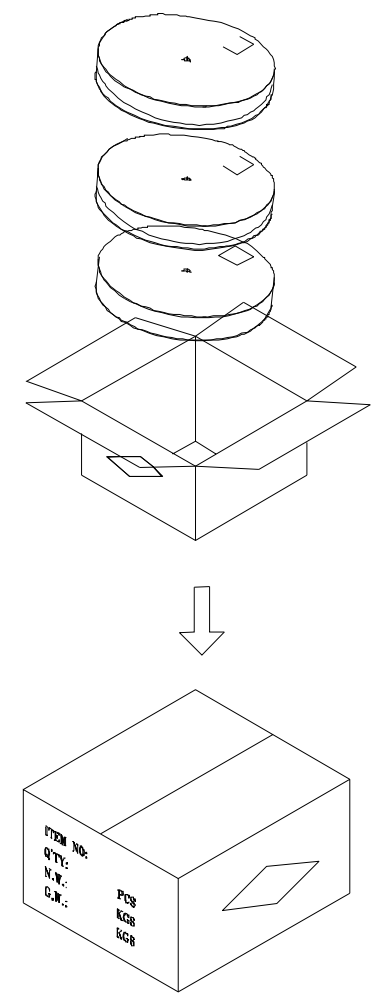
TITLE	SIM CARD 6 PIN, 2.8H		
DWN	SWC	PART NO.	2SIMME-00600B628
CHKD	2014.04.17	SCALE 1:1	UNIT: mm
APVD		SIZE: A3	SHEET: 1 OF 2
		REV: A	
CUSTOMER COPY			

1 2 3 4 5 6 7 8

Rev.	Description	Date	Drawn	Checked
A	INITIAL RELEASE	2014.04.17	SWC	



Part No.	Reel/PCS	Carton/Reel	Carton/PCS
2SIMME-00600B628	1/900	1/10	1/9000



GENERAL TOLERANCE:
.X ±0.30 Ang. ±2°
.XX ±0.25
.XXX ±0.15

Singatron Enterprise Co., Ltd. 信音企業股份有限公司				
TITLE	PACKING FOR SIM CARD, 6 PIN H: 2.8			
DWN	SWC	PART NO. PK-2SIMME-00600B628		
CHKD	2014.04.17	SCALE 1:1	UNIT: mm	
APVD		SIZE: A3	SHEET: 2 OF 2	REV: A
CUSTOMER COPY				