
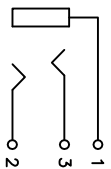
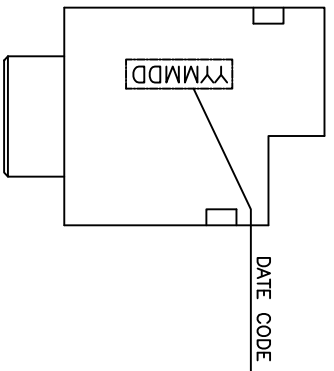


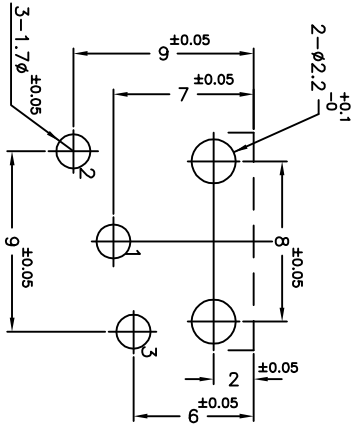
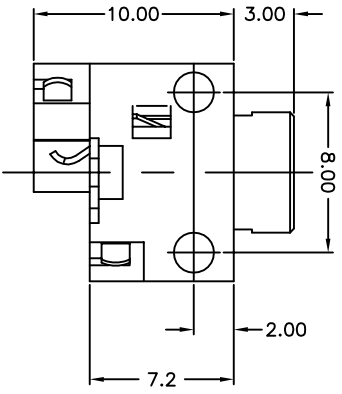
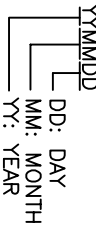
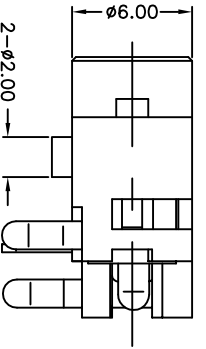
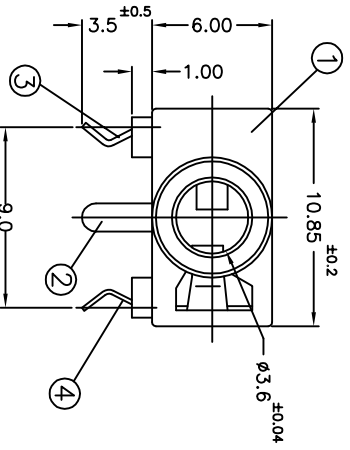
REV.	ECN NO OR	DESCRIPTION	REVISED	DATE
A		Product Release	EVEN	6/19-04
B		ECN NO.: 920008	EVEN	2005.6.2
C		ADD DATE CODE	HAHUA	7/10/07

SPECIFICATIONS:

- ELECTRICAL REQUIREMENTS:
 - CURRENT CARRYING RATING: 24V DC 1AMP MAX.
 - INSULATION RESISTANCE: 50 MEGOHMS MIN. AT 500V DC.
 - DIELECTRIC WITHSTANDING VOLTAGE: 250V AC FOR 1 MINUTE.
- MECHANICAL REQUIREMENTS:
 - INSERTION FORCE: 0.3KG - 1.6KG
 - WITHDRAWAL FORCE: 0.3KG - 1.4KG
 - MECHANICAL LIFE CYCLES: AFTER 5,000 CYCLES WITHOUT BREAKDOWN.
- SOLDER HEAT RESISTANCE: WAVE SOLDERING 260°C 10 SECS.
- TO CONFORM TO THE "SE-01-001" & "ROHS DIRECTIVE"
- GREEN PRODUCT IDENTIFICATION MARK IN JACK: 
- GREEN PRODUCT IDENTIFICATION LABEL IN PACKING: **G.P. PASS**
- FOR WAVE SOLDERING LEAD-FREE PROCESS.
- PRINTED DATE CODE "YYMMDD" ON TOP OF CONNECTOR.




CIRCUIT



P.C.B. LAYOUT
(BOTTOM VIEW)

4	RING SPRING	1	PHOSPHOR BRASS 0.2t	SILVER PLATING
3	TIP SPRING	1	PHOSPHOR BRASS 0.3t	SILVER PLATING
2	EARTH TERMINAL	1	PHOSPHOR BRASS 0.4t	SILVER PLATING
1	BODY	1	PBT UL 94V-0	PINK COLOR(701C)
UNLESS OTHERWISE SPECIFIED TOLERANCES:		MATERIAL PLATING&COLOR		
DECIMALS:		TITLE		
X	:±0.5	X	:±2°	HAHUA 3.5φ PHONE JACK
X.X	:±0.3	X.X	:±1°	DWN 7/10/07 PART NO. 2S1-0380-001
X.XX	:±0.2			CHKD 7/10/07 SCALE: N/A UNIT: mm
				APVD SEAN 7/10/07 SIZE: A4 SHEET: 10F1 REV: C

 Singatron Electronic (Chung-Shan) Co., Ltd.
信音電子(中山)有限公司

CUSTOMER COPY