
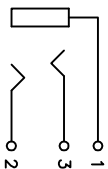
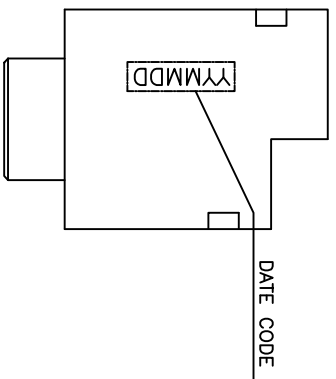


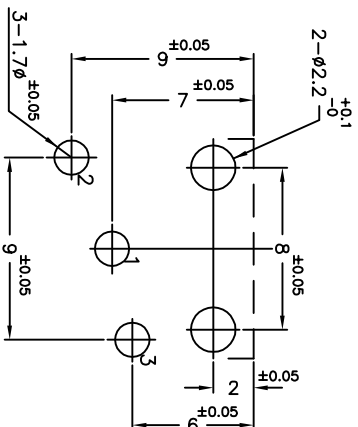
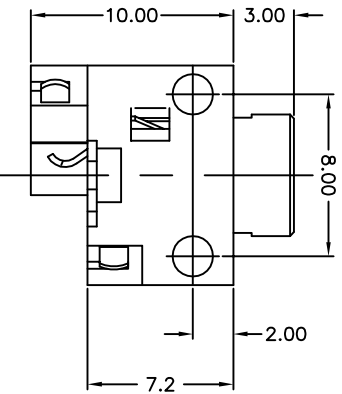
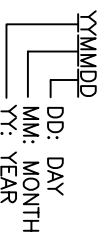
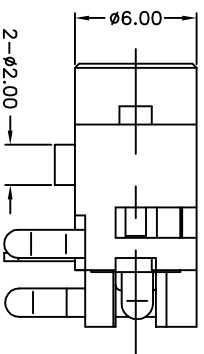
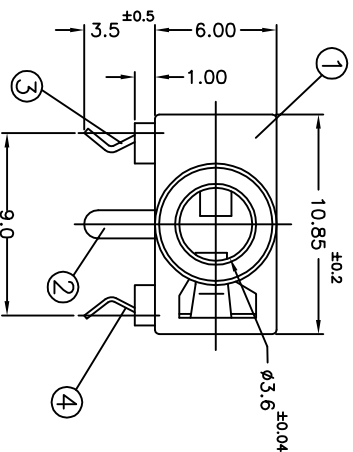
REV.	ECN NO OR DESCRIPTION	REVISED	DATE
A	Product Release	EN/EN	6/19-'04
B	ECN NO: 920008	EN/EN	2005.6.2
C	ADD DATE CODE	H4H4U4	7/10/07

**SPECIFICATIONS:**

- ELECTRICAL REQUIREMENTS:
  - CURRENT CARRYING RATING: 24V DC 1AMP MAX.
  - INSULATION RESISTANCE: 50 MEGOHMS MIN. AT 500V DC.
  - DIELECTRIC WITHSTANDING VOLTAGE: 250V AC FOR 1 MINUTE.
- MECHANICAL REQUIREMENTS:
  - INSERTION FORCE: 0.3KG - 1.6KG
  - WITHDRAWAL FORCE: 0.3KG - 1.4KG
  - MECHANICAL LIFE CYCLES: AFTER 5,000 CYCLES WITHOUT BREAKDOWN.
- SOLDER HEAT RESISTANCE: WAVE SOLDERING 260°C 10 SECS.
- TO CONFORM TO THE "SE-01-001" & "ROHS DIRECTIVE"
- GREEN PRODUCT IDENTIFICATION MARK IN JACK: 
- GREEN PRODUCT IDENTIFICATION LABEL IN PACKING: **G.P. PASS**
- FOR WAVE SOLDERING LEAD-FREE PROCESS.
- PRINTED DATE CODE "YYMMDD" ON TOP OF CONNECTOR.



CIRCUIT



P.C.B. LAYOUT  
(BOTTOM VIEW)

NO	DESCRIPTION	QTY	MATERIAL	PLATING&COLOR
4	RING SPRING	1	PHOSPHOR BRASS 0.2t	SILVER PLATING
3	TIP SPRING	1	PHOSPHOR BRASS 0.3t	SILVER PLATING
2	EARTH TERMINAL	1	PHOSPHOR BRASS 0.4t	SILVER PLATING
1	BODY	1	PBT UL 94V-0	LIME COLOR(S77C)

UNLESS OTHERWISE SPECIFIED TOLERANCES

DECIMALS:	ANGLES:
X : ±0.5	X : ±2°
X.X : ±0.3	X.X : ±1°
X.XX : ±0.2	

TITEL	3.5φ PHONE JACK
DWN	H4H4U4 7/10/07
CHKD	7/10/07
APVD	7/10/07
PART NO.	25S7-0380-002
SCALE:	N/A
UNIT:	mm
SHEET:	10F1
REV.	C

Singapore Electronic(Chung-Shan) Co., Ltd.  
信音電子(中山)有限公司

CUSTOMER COPY

