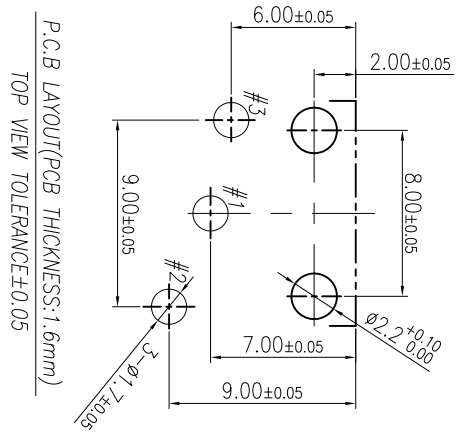
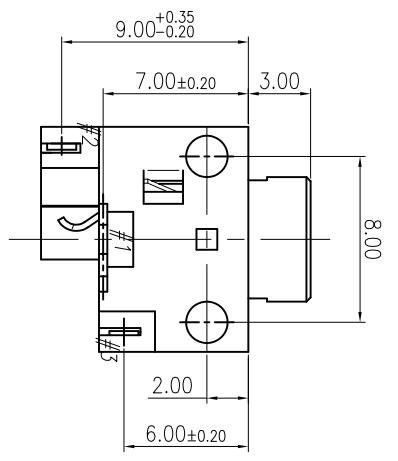
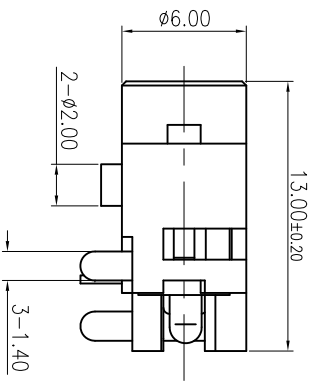
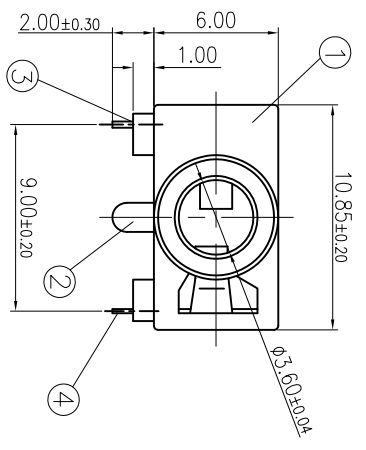
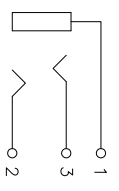
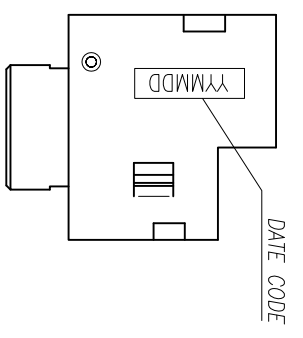


REV: A	ECN NO. OR DESCRIPTION: PRODUCE RELEASE	REVISED: JIANGUO	DATE: 2010.11.15
--------	---	------------------	------------------



- SPECIFICATIONS:
- ELECTRICAL CHARACTERISTICS:
 - RATING: 12V 1A
 - DIELECTRIC WITHSTANDING VOLTAGE: 250V AC FOR 1 MINUTE.
 - INSULATION RESISTANCE: 50MΩ MIN. MEASURED BY 500 VDC
 - MECHANICAL CHARACTERISTICS:
 - INSERTION FORCE : 0.3KG - 1.6KG
 - WITHDRAWAL FORCE : 0.3KG - 1.4KG
 - LIFE TEST: 5,000 CYCLES MIN.
 - TO CONFORM TO THE SINGATRON HSF SPEC.
 - HALOGEN FREE PRODUCT IDENTIFICATION MARK IN JACK:
 - HALOGEN FREE PRODUCT IDENTIFICATION LABEL ON PACKAGING:
 - FOR REFLOW SOLDERING LEAD-FREE PROCESS.
 - PACKAGING : TAPE & REEL.

4	RING SPRING	1	PHOSPHOR BRONZE 0.2t	SILVER PLATING
3	TIP SPRING	1	PHOSPHOR BRONZE 0.3t	SILVER PLATING
2	EARTH TERMINAL	1	PHOSPHOR BRONZE 0.4t	SILVER PLATING
1	BODY	1	HIGH TEMP.THERMOPLASTIC	BLACK
NO	DESCRIPTION	QTY	MATERIAL	PLATING & COLOR
UNLESS OTHERWISE SPECIFIED TOLERANCES				
Singatron Enterprise Co., Ltd. 信亨企業股份有限公司				
DECIMALS: ANGLES: X :±0.5 X :±2° X.X :±0.3 X.X :±1° X.XX :±0.2				
TITLE: 3.5Ø PHONE JACK				
DWG: Part No. 2SJ-0380-A05F				
CHKD: Scale 4:1 UNIT: mm				
APVD: Size: A4 SHEET: 10F1 REV: A				
CUSTOMER COPY				