

REV.	ECN NO OR DESCRIPTION	REVISED	DATE
C	ECN NO: C110020 將PIN腳改為直腳 並將腳長改為3.2+/-0.2	LONGJIANG	2011.01.11
D	ECN: C140118 UPDATE DRAWING	CAOCHEN	2014.06.09

SPECIFICATIONS:

1. ELECTRICAL CHARACTERISTICS:

- 1-1. CONTACT RESISTANCE: 30mΩ MAX.(INITIAL)
- 1-2. DIELECTRIC WITHSTANDING VOLTAGE: 250V AC FOR ONE MINUTE.
- 1-3. INSULATION RESISTANCE: 50MΩ MIN. MEASURED BY 250 VDC

2. MECHANICAL CHARACTERISTICS:

- 2-1. INSERTION FORCE : 0.3~2.5 KGF
- 2-2. WITHDRAWAL FORCE : 0.3~2.5 KGF

3. LIFE TEST: 5,000 CYCLES MIN.

4. OTHER GENERAL SPEC. TO REFER "2SJXXXX SERIES SPEC".

5. TO CONFORM TO THE SINGATRON HSF SPEC.

6. GREEN PRODUCT IDENTIFICATION MARK ON JACK:

7. GREEN PRODUCT IDENTIFICATION LABEL ON PACKAGING: **G.P. PASS**

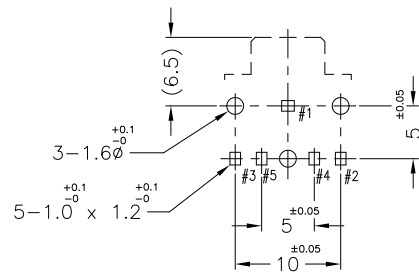
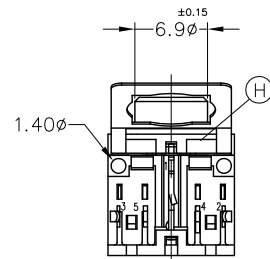
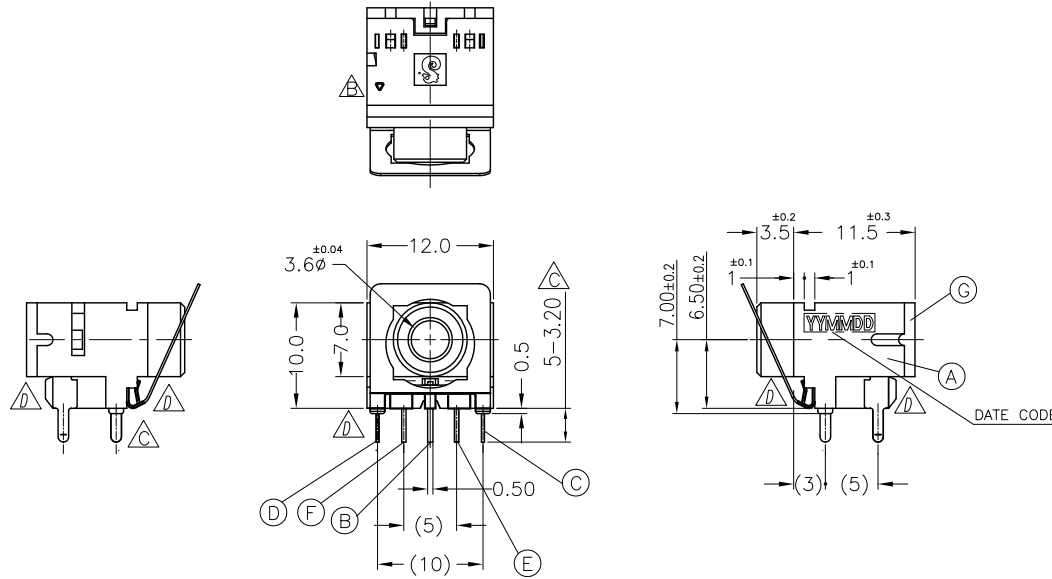
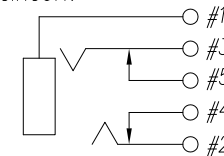
8. FOR WAVE SOLDERING LEAD-FREE PROCESS.

9. PRINTED DATE CODE "YYMMDD" ON TOP OF CONNECTOR.

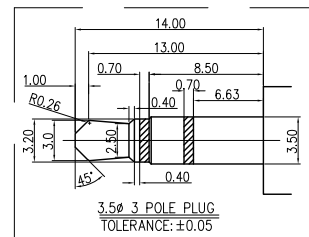
DATE CODE: YYMMDD

DD: DAY
MM: MONTH
YY: YEAR

CIRCUIT:



PCB LAYOUT
SOLDER SIDE



NO	DESCRIPTION	QTY	MATERIAL	PLATING & COLOR
H	GROUNDING SPRING	1	STAINLESS STEEL 0.2t	
G	COVER	1	THERPLASTIC	BLACK COLOR
F	SHUNT TERMINA-B	1	COPPER ALLOY 0.4T	SILVER PLATING
E	SHUNT TERMINA-A	1	COPPER ALLOY 0.4T	SILVER PLATING
D	RING SPRING	1	COPPER ALLOY 0.25T	SILVER PLATING
C	TIP SPRING	1	COPPER ALLOY 0.3T	SILVER PLATING
B	EARTH TERMINAL	1	COPPER ALLOY 0.5T	SILVER PLATING
A	BODY	1	THERPLASTIC	BLACK COLOR

UNLESS OTHERWISE SPECIFIED TOLERANCES

Singatron Enterprise Co., Ltd.
信音企業股份有限公司

DECIMALS:	ANGLES:	TITLE			
X : ±0.5	X : ±2°	DWN	3.5φ PHONE JACK		
X.X : ±0.3	X.X : ±1°	CHKD	Cao Chen 14/6/11	PART NO. 2SJ-0510-A24	
X.XX : ±0.2		APVD	Libo 14/6/11	SCALE 2:1	UNIT: mm
			SIZE: A3	SHEET: 10F1	REV: D

CUSTOMER COPY