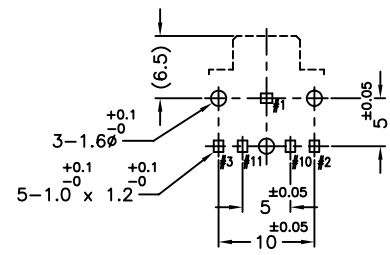
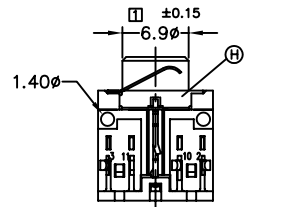
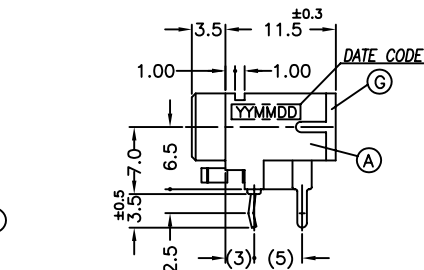
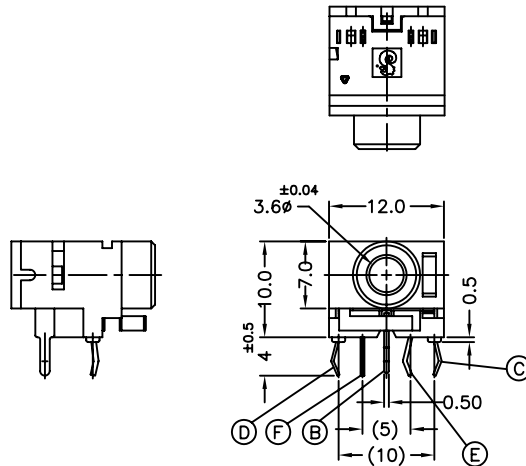


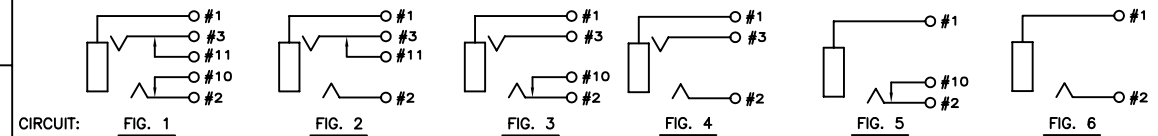
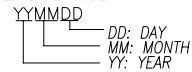
REV.	ECN NO OR DESCRIPTION	REVISED	DATE
B	MODIFY DIM. $7\phi^{+0.1}$ $6.9\phi^{+0.15}$	EVEN	5/14-'02
C	ECN NO.920008 ECN NO.940067	BREYL	2006.4.10
D	ADD DATE CODE	HAIHUA	7/27'07



PCB LAYOUT  
SOLDER SIDE

- SPECIFICATIONS:
- INSULATION RESISTANCE TO BE NOT LESS THAN 50 MEGOHMS R.M.S. AT 250 VOLTS.
  - MAXIMUM CONTACT RESISTANCE 30 MILLIOHMS.
  - JACK SHALL WITHSTAND 250 VOLTS BETWEEN ANY ADJACENT TERMINAL FOR 1 MINUTE.
  - JACK SHALL WITHSTAND 5,000 CYCLES OF INSERTION AND WITHDRAWAL WITH MATE PLUG OR GAUGE PLUG AFTER TESTING CONTACT RESISTANCE SHALL NOT EXCEED 0.1 OHMS.
  - INSERTION FORCE
    - INITIAL: 0.3KG-2.5KG.
    - AFTER 5,000 CYCLES TEST: ±30% OF INITIAL VALUE.
  - WITHDRAWAL FORCE
    - INITIAL: 0.3KG - 2.5KG
    - AFTER 5,000 CYCLES TEST: ±30% OF INITIAL VALUE.
  - MEASURING CONDITIONS:
    - TEMPERATURE: FROM 5°C TO 40°C.
    - RELATIVE HUMIDITY: FROM 40% TO 85%
  - RESISTANCE TO SOLDERING HEAT:
 

LEADS TO BE IMMERSED IN MOLTEN SOLDER 260°C FOR 10 SECONDS @1.57mm FROM BODY WITH NO DEGRADATION OF ELECTRICAL OR MECHANICAL SPECIFICATION.
  - \* :SEE DRAWING NO.
  - SOLDER HEAT RESISTANCE: WAVE SOLDERING 260°C 10 SECS.
  - TO CONFORM TO THE "SE-01-001" & "ROHS DIRECTIVE"
  - GREEN PRODUCT IDENTIFICATION MARK IN JACK: "G.P. PASS"
  - GREEN PRODUCT IDENTIFICATION LABEL IN PACKING: "G.P. PASS"
  - FOR WAVE SOLDERING LEAD-FREE PROCESS.
  - PRINTED DATE CODE "YYMMDD" ON TOP OF CONNECTOR.



"TABLE 1"

DRAWING (NEW NO.)	CIRCUIT	TIP SPRING	RING SPRING	SHUT TERMINAL A	SHUT TERMINAL B
2SJ-0510-A04	FIG. 1	1	1	1	1
2SJ-0511-A04	FIG. 2	1	1		1
2SJ-0512-A04	FIG. 3	1	1	1	
2SJ-0513-A04	FIG. 4	1	1		
2SJ-0514-A04	FIG. 5	1		1	
2SJ-0515-A04	FIG. 6	1			

H	GROUNDING SPRING	1	STAINLESS STEEL 0.2t	
G	COVER	1	PBT UL 94V-0	BLACK COLOR
F	SHUNT TERMINA-B	*	BRASS 0.4t	SILVER PLATING
E	SHUNT TERMINA-A	*	BRASS 0.4t	SILVER PLATING
D	RING SPRING	*	COPPER ALLOY 0.25t	SILVER PLATING
C	TIP SPRING	*	COPPER ALLOY 0.3t	SILVER PLATING
B	EARTH TERMINAL	1	BRASS 0.5t	SILVER PLATING
A	BODY	1	PBT UL 94V-0	BLACK COLOR
NO	DESCRIPTION	QTY	MATERIAL	PLATING&COLOR

UNLESS OTHERWISE SPECIFIED TOLERANCES

Singatron Electronic(Chung-Shan) Co., Ltd.  
信音電子(中山)有限公司

DECIMALS: ANGLES: TITEL:  $\phi 3.5$  PHONE JACK

X :±0.5 X :±2° DWN: HAIHUA 7/27'07 PART NO. 2SJ-051X-A04

X.X :±0.3 X.X :±1° CHKD: MUYUAN 7/27'07 SCALE: N/A UNIT: mm

X.XX :±0.2 APVD: SEAN 7/27'07 SIZE: A4 SHEET: 10F1 REV: D

CUSTOMER COPY