

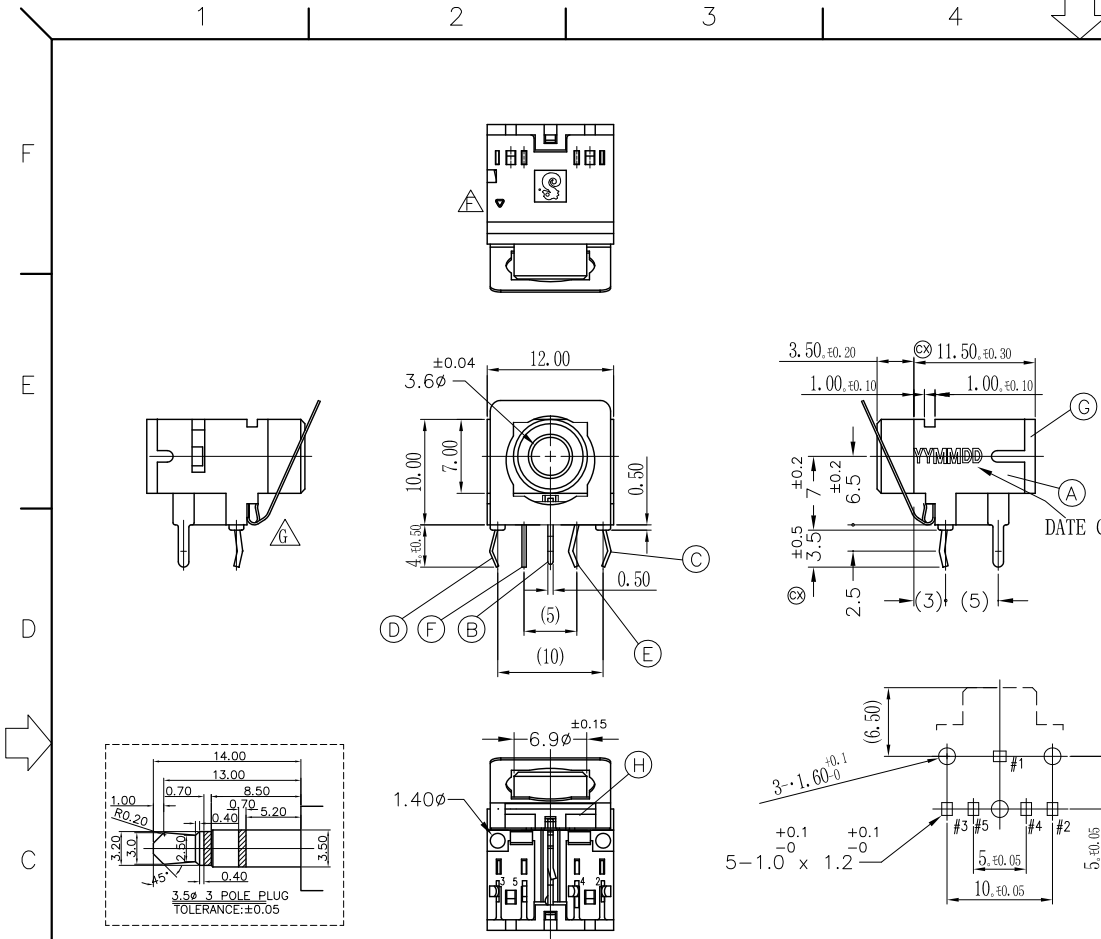
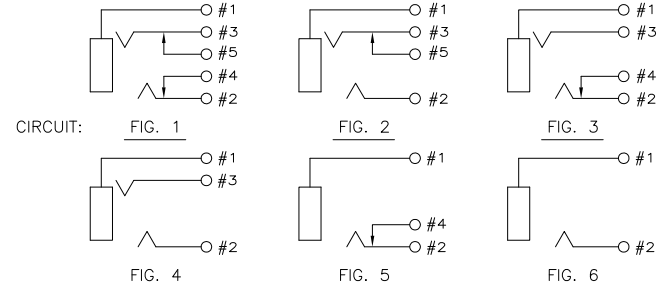
REV.	ECN NO OR DESCRIPTION	REVISED	DATE
E	修正圖面與實物相符 ECN No.:C080275-7/9	CHARLIE	2009.1.14
F	依PDR: C100224-1A要求新增一款料號	LUJIAN	2010.03.23
G	ECN:C120010 Modify Drawing	Longjiang	2012.01.17

SPECIFICATIONS:

- ELECTRICAL CHARACTERISTICS:
  - CONTACT RESISTANCE: 30mΩ MAX.(INITIAL)
  - DIELECTRIC WITHSTANDING VOLTAGE: 250V AC FOR ONE MINUTE.
  - INSULATION RESISTANCE: 50MΩ MIN. MEASURED BY 250 VDC
- MECHANICAL CHARACTERISTICS:
  - INSERTION FORCE : 0.2~2.5 KGF
  - WITHDRAWAL FORCE : 0.2~2.5 KGF
- LIFE TEST: 5,000 CYCLES MIN.
- TO CONFORM TO THE SINGATRON HAZARDOUS SUBSTANCE FREE SPEC.
- GREEN PRODUCT IDENTIFICATION MARK ON JACK:
- GREEN PRODUCT IDENTIFICATION LABEL ON PACKAGING:
- FOR WAVE SOLDERING LEAD-FREE PROCESS.
- PRINTED DATE CODE "YYMMDD" ON TOP OF CONNECTOR.

G.P. PASS

DATE CODE: YYMMDD  
 DD: DAY  
 MM: MONTH  
 YY: YEAR



PCB LAYOUT  
SOLDER SIDE

"TABLE 1"

DRAWING (NEW NO.)	CIRCUIT	TIP SPRING	RING SPRING	SHUT TERMINAL A	SHUT TERMINAL B	COVER	BODY COLOR
2SJ-0510-A25	FIG. 1	1	1	1	1	1	PINK(701C)
2SJ-0510-017	FIG. 1	1	1	1	1	1	LIME GREEN
2SJ-0510-A17	FIG. 1	1	1	1	1	1	LIME GREEN
2SJ-0511-A17	FIG. 2	1	1		1	1	LIME GREEN
2SJ-0512-A17	FIG. 3	1	1	1		1	LIME GREEN
2SJ-0513-A17	FIG. 4	1	1			1	LIME GREEN
2SJ-0514-A17	FIG. 5	1		1		1	LIME GREEN
2SJ-0515-A17	FIG. 6	1				1	LIME GREEN

H	GROUNDING SPRING	1	STAINLESS STEEL 0.2t	
G	COVER	*	THERPLASTIC	BLACK COLOR
F	SHUNT TERMINA-B	*	COPPER ALLOY 0.4t	SILVER PLATING
E	SHUNT TERMINA-A	*	COPPER ALLOY 0.4t	SILVER PLATING
D	RING SPRING	*	COPPER ALLOY 0.25t	SILVER PLATING
C	TIP SPRING	*	COPPER ALLOY 0.3t	SILVER PLATING
B	EARTH TERMINAL	1	COPPER ALLOY 0.5t	SILVER PLATING
A	BODY	1	THERPLASTIC	SEE TABLE "1"
NO	DESCRIPTION	QTY	MATERIAL	PLATING & COLOR

UNLESS OTHERWISE SPECIFIED TOLERANCES		Singatron Enterprise Co., Ltd. 信音企業股份有限公司	
DECIMALS:	ANGLES:	TITLE: 3.5φ PHONE JACK	
X :±0.5	X :±2°	DWN	PART NO.:2SJ-051X-XXX
X.X :±0.3	X.X :±1°	CHKD	SCALE 2:1 UNIT: mm
X.XX :±0.2		APVD	SIZE: A3 SHEET: 10F1 REV: G
<b>CUSTOMER COPY</b>			