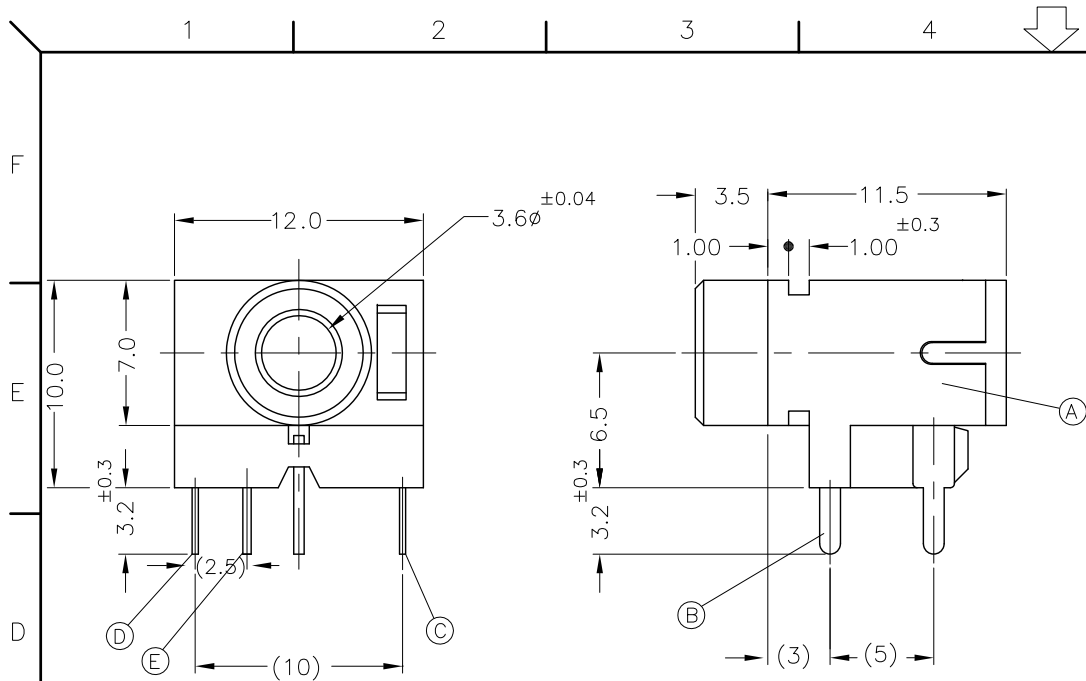


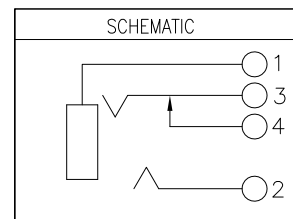
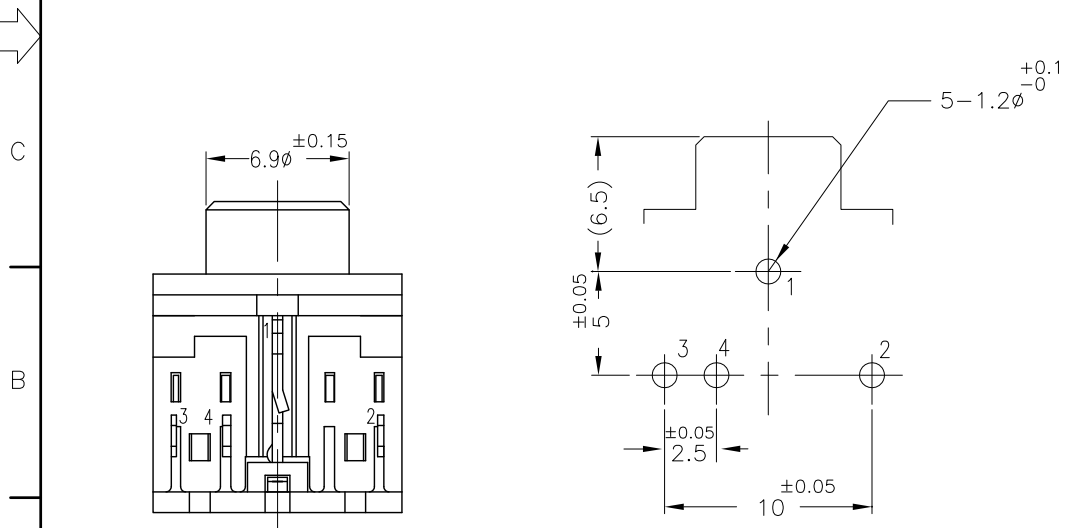
REV.	ECN NO OR DESCRIPTION	REVISED	DATE
B	MODIFY DIM. \square $\begin{matrix} \pm 0.1 \\ -6.9\phi \end{matrix}$ $\begin{matrix} \pm 0.15 \\ -6.9\phi \end{matrix}$	BERYL	2/13-'03
C	ECN NO.: T0900047	KENSON	8/25'09
D	ECN NO.: T0900047 删除原圖面料號 2SJ-052X2N13 取消料號 2SJ-0520/2/3/4/52N13	HAODU	2010.5.21



SPECIFICATIONS:

- INSULATION RESISTANCE TO BE NOT LESS THAN 50 MΩ R.M.S. AT 250 VOLTS.
- MAXIMUM CONTACT RESISTANCE 30 mΩ.
- JACK SHALL WITHSTAND 250 VOLTS BETWEEN ANY ADJACENT TERMINAL FOR 1 MINUTE.
- JACK SHALL WITHSTAND 5,000 CYCLES OF INSERTION AND WITHDRAWAL WITH MATE PLUG OR GAUGE PLUG AFTER TESTING CONTACT RESISTANCE SHALL NOT EXCEED 100 mΩ.
- INSERTION FORCE
 - INITIAL: 0.3KG-2.5KG.
 - AFTER 5,000 CYCLES TEST: ±30% OF INITIAL VALUE.
- WITHDRAWAL FORCE
 - INITIAL: 0.3KG - 2.5KG
 - AFTER 5,000 CYCLES TEST: ±30% OF INITIAL VALUE.
- MEASURING CONDITIONS:
 - TEMPERATURE: FROM 5°C TO 40°C.
 - RELATIVE HUMIDITY: FROM 40% TO 85%
- RESISTANCE TO SOLDERING HEAT:

LEADS TO BE IMMERSED IN MOLTEN SOLDER 260°C FOR 10 SECONDS @1.57mm FROM BODY WITH NO DEGRADATION OF ELECTRICAL OR MECHANICAL SPECIFICATION.
- MARKING: MARK "S" ON TOP OF CONNECTOR.



NO	DESCRIPTION	QTY	MATERIAL	PLATING & COLOR
E	SHUNT TERMINA-B	1	BRASS 0.4t	SILVER PLATING
D	RING SPRING	1	COPPER ALLOY 0.25t	SILVER PLATING
C	TIP SPRING	1	COPPER ALLOY 0.3t	SILVER PLATING
B	EARTH TERMINAL	1	BRASS 0.5t	SILVER PLATING
A	BODY	1	PBT UL 94V-0	BLACK COLOR

UNLESS OTHERWISE SPECIFIED TOLERANCES

Singatron Enterprise Co., Ltd.
信音企業股份有限公司

DECIMALS:	ANGLES:	TITLE	DC POWER JACK	
X : ±0.5	X : ±2°	DWN 杜浩 10.07.07	PART NO. 2SJ-05212N13	
XX : ±0.3	XX : ±1°	CHKD ZJZ 10.07.07	SCALE 4:1	UNIT: mm
XXX : ±0.2		APVD Liao 10.07.07	SIZE: A3	SHEET: 1 OF 1 REV: D

CUSTOMER COPY