

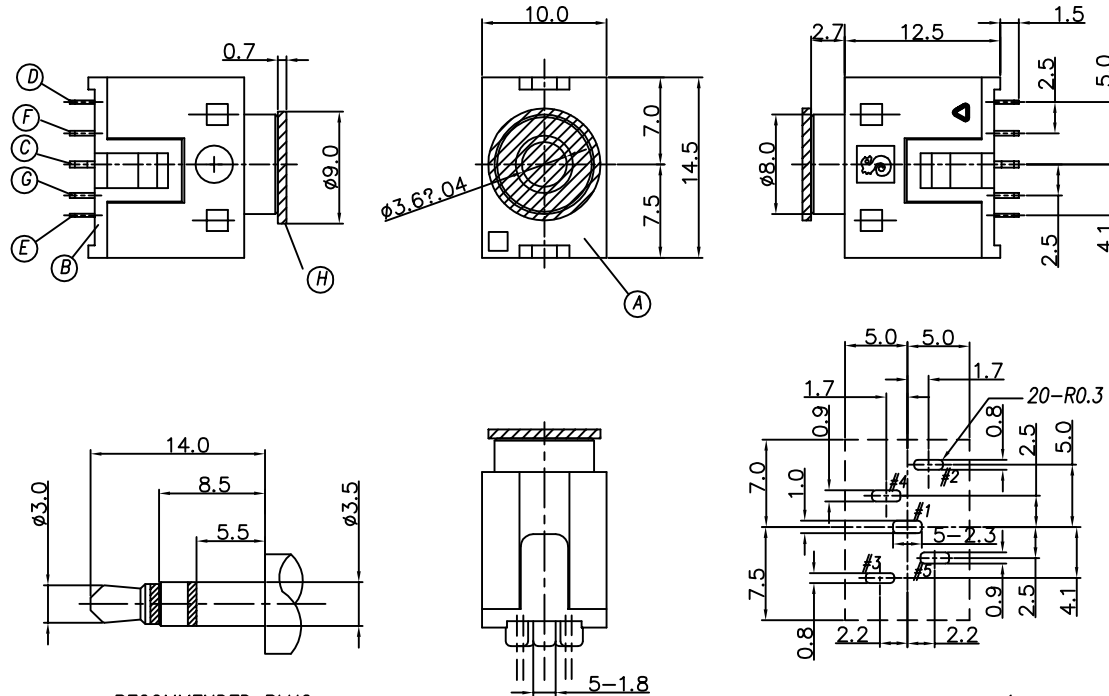
REV.	ECN NO OR DESCRIPTION	REVISED	DATE
A	PDR NO.T080904-1A/1B	BRUCE	2008.10.06
B	ECN NO.S090233	BRUCE	2009.03.10

SPECIFICATIONS:

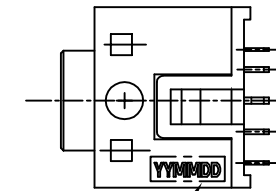
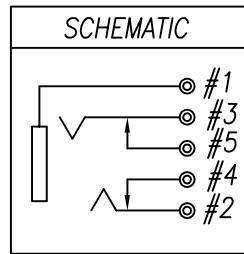
- INSULATION RESISTANCE TO BE NOT LESS THAN 50 MEGOHMS R.M.S. AT 250 VDC.
- MAXIMUM CONTACT RESISTANCE 30 MILLIOHMS.
- JACK SHALL WITHSTAND 250 VAC(CUT-OFF CURRENT:1mA) BETWEEN ANY ADJACENT TERMINAL FOR 1 MINUTE.
- JACK SHALL WITHSTAND 5,000 CYCLES OF INSERTION AND WITHDRAWAL WITH MATE PLUG OR GAUGE PLUG AFTER TESTING CONTACT RESISTANCE SHALL NOT EXCEED 0.1 OHMS.
- INSERTION FORCE
 - INITIAL: 0.4KG - 3.0KG.
 - AFTER 5,000 CYCLES TEST: 0.3KG - 2.5KG
- WITHDRAWAL FORCE
 - INITIAL: 0.4KG - 3.0KG
 - AFTER 5,000 CYCLES TEST: 0.3KG - 2.5KG
- MEASURING CONDITIONS:
 - TEMPERATURE: FROM 5°C TO 40°C.
 - RELATIVE HUMIDITY: FROM 40% TO 85%
- SOLDERING CONDITION: WAVE SOLDERING / IR REFLOW.
- MARKING: MARK "S" ON SIDE OF CONNECTOR.
- TO CONFORM TO SINGATRON HAZARDOUS SUBSTANCE FREE SPEC
- GREEN PRODUCT IDENTIFICATION MARK ON JACK:
- GREEN PRODUCT IDENTIFICATION LABEL ON PACKAGING: **G.P. PASS**
- PACKAGING : TAPE & REEL.
- FOR LEAD-FREE PROCESS.
- PRINTED DATE CODE "YYMMDD" ON TOP OF CONNECTOR.

DATE CODE: YYMMDD

DD: DAY
MM: MONTH
YY: YEAR



RECOMMENDED PCB LAYOUT (BOTTOM VIEW)
(TOLERANCE : ± 0.05)
PCB THICKNESS: 1.2mm



"TABLE 1"
2SJ-0540-A□□
09:LIME (PAN. 577C)
10:PINK (PAN. 701C)
11:BLACK

H	DESCRIPTION	QTY	MATERIAL	PLATING & COLOR
H	CAP	1	HIGH TEMP THERMOPLASTIC	BLACK
G	SHUNT TERMINAL B	1	BRASS 0.4t	GOLD FLASH,ALL OVER 50u"Ni Min
F	SHUNT TERMINAL A	1	BRASS 0.4t	GOLD FLASH,ALL OVER 50u"Ni Min
E	RING SPRING	1	PHOSPHOR BRONZE 0.3t	GOLD FLASH,ALL OVER 50u"Ni Min
D	TIP SPRING	1	COPPER ALLOY 0.3t	GOLD FLASH,ALL OVER 50u"Ni Min
C	EARTH TERMINAL	1	PHOSPHOR BRONZE 0.5t	GOLD FLASH,ALL OVER 50u"Ni Min
B	COVER	1	HIGH TEMP THERMOPLASTIC	BLACK COLOR
A	BODY	1	HIGH TEMP THERMOPLASTIC	SEE" TABLE 1"
NO	DESCRIPTION	QTY	MATERIAL	PLATING & COLOR

UNLESS OTHERWISE SPECIFIED TOLERANCES		Singatron Enterprise Co., Ltd. 信音企業股份有限公司	
DECIMALS: X ±0.5	ANGLES: X ±2°	TITLE	3.5φ STEREO PHONE JACK
X.X ±0.3	X.X ±1°	DWN	BRUCE 2009.03.10 PART NO. 2SJ-0540-A□□
X.XX ±0.2		CHKD	LUSSEN 2009.03.10 SCALE:1:1 UNIT: mm
		APVD	MAX 2009.03.10 SIZE: A3 SHEET: 1 OF 1 REV: B
CUSTOMER COPY			