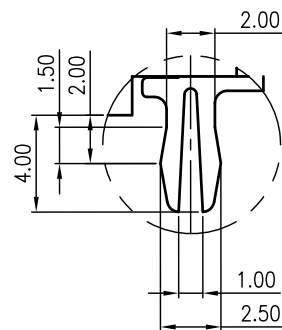
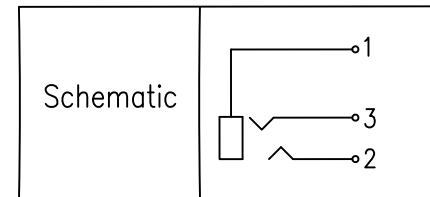


P.C.B Layout Dimension (Tolerance: ±0.1)
(Recommend min. Dimension) (bottom view)



Detail B
Scale 2:1
Applied to Terminal
NO. 2,3



7	BUSHING	1	BRASS (Pb<1000ppm)	MBCu1 μ m-Ni1.5 μ m
6	EARTH CONTACT(1)	1	Ferro Alloy t=0.60	MFCu5 μ m-Ni3 μ m
5	RING TERMINAL (3)	1	Copper Alloy t=0.30	MBCu2 μ m-Ag0.6 μ m
4	TIP SPRING (2)	1	Copper Alloy t=0.40	MBCu2 μ m-Ag0.6 μ m
3	EARTH SPRING	1	Copper Alloy t=0.20	MBCu2 μ m-Ag0.6 μ m
2	COVER	1	PBT+GF UL 94V-0	Black
1	HOUSING	1	PBT+GF UL 94V-0	Black
LTR	PART NAME	Q'TY	MATERIAL	REMARK

UNLESS OTHERWISE SPECIFIED, TOLERANCE ON DECIMAL: ±0.30 ANGLES: ±5°

Singatron Enterprise Co., Ltd.				
TITLE	PHONE JACK			
DWN	張啟濤	PART NO. 2SJ-064-12DMPR		
CHKD	2021.03.11	SCALE 1:1	UNIT: mm	☉ ↺
APVD	郭遠峰	SIZE: A3	SHEET: 1 OF 1	REV: 001
CUSTOMER COPY				

1

2

3

4

5

6

7

8

F

E

D

C

B

A

F

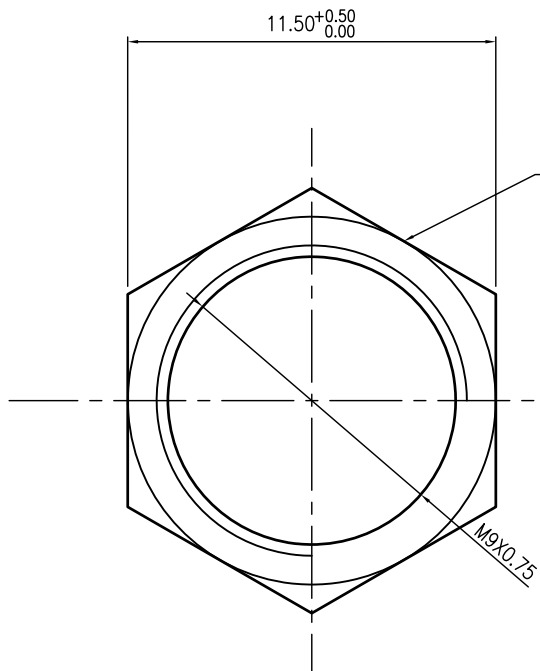
E

D

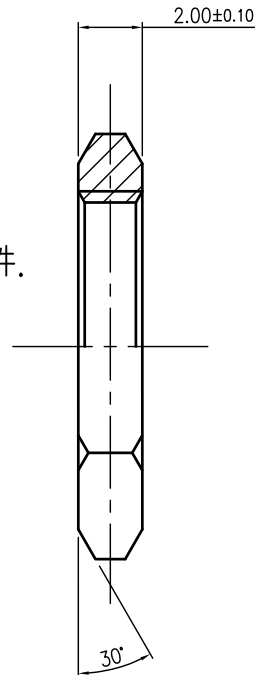
C

B

A



此零件取消鹽霧測試
 此零件以沖壓方式生產，
 不保證任何時數之鹽霧測試，
 若產品有此項要求者，請勿使用此零件。



Singatron Enterprise Co., Ltd.			
TITLE	NUT		
DWN	CHRISTINA	PART NO. 2SJ-06401-63	
CHKD	1995.06.29	SCALE 1:1	UNIT: mm
APVD	SKLIU	SIZE: A3	SHEET: 1 OF 1
REV: D			
CUSTOMER COPY			

1	NUT	1	Zinc alloy t=2.00	MFCu Ni PLATED
LTR	PART NO.	QTY	MATERIAL	REMARK

UNLESS OTHERWISE SPECIFIED, TOLERANCE ON DECIMAL: ±0.3 ANGLE: ±5°

1

2

3

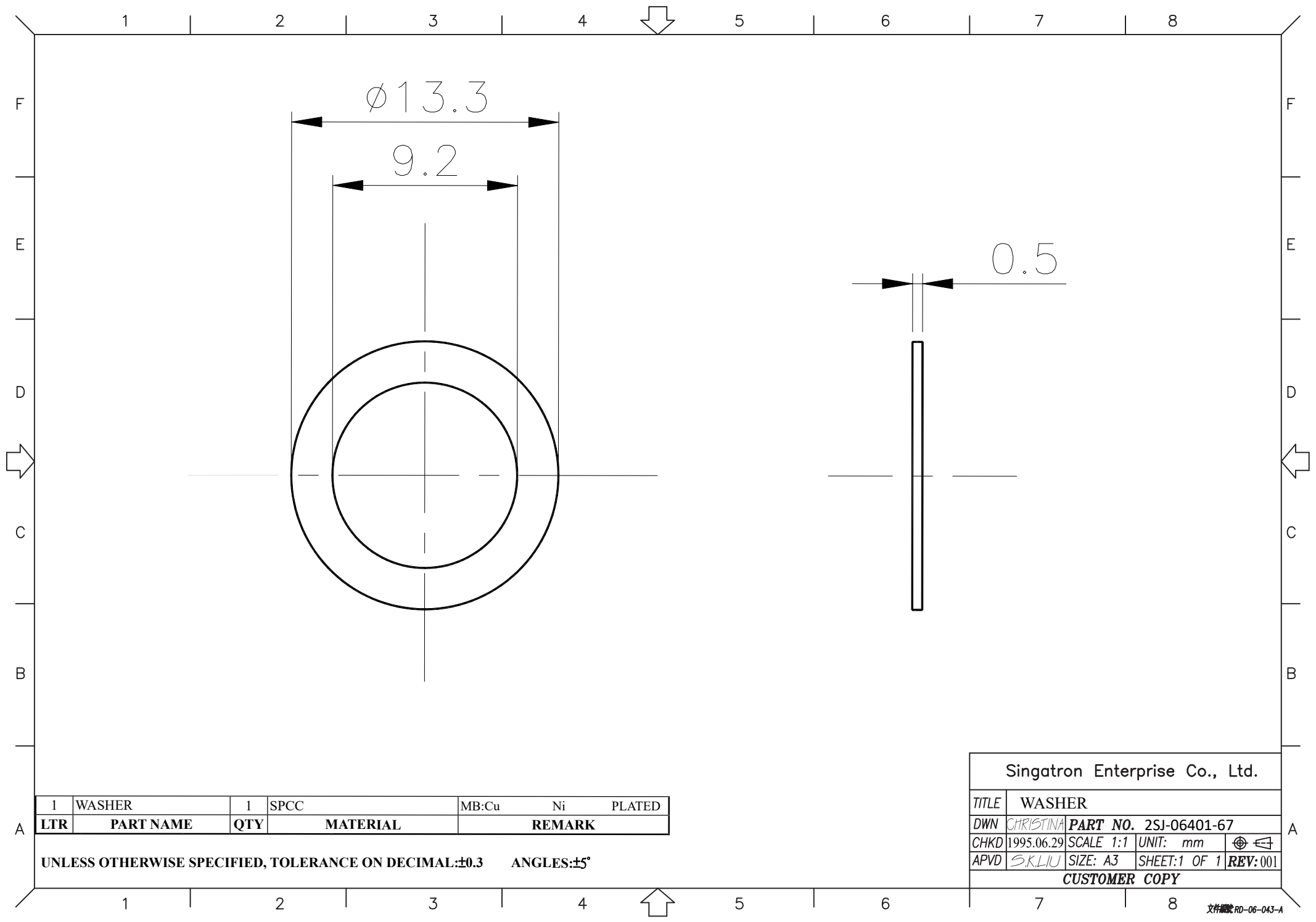
4

5

6

7

8



1	WASHER	1	SPCC	MB:Cu	Ni	PLATED
LTR	PART NAME	QTY	MATERIAL	REMARK		

UNLESS OTHERWISE SPECIFIED, TOLERANCE ON DECIMAL:±0.3 ANGLES:±5°

Singatron Enterprise Co., Ltd.				
TITLE	WASHER			
DWN	CHRISTINA	PART NO. 2SJ-06401-67		
CHKD	1995.06.29	SCALE 1:1	UNIT: mm	☉ ↻
APVD	S.K.LIU	SIZE: A3	SHEET:1 OF 1	REV:001
CUSTOMER COPY				