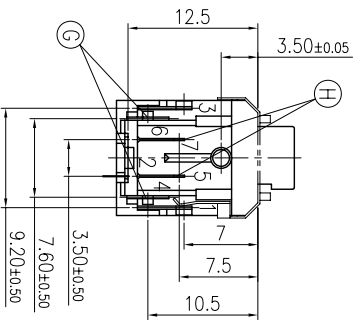
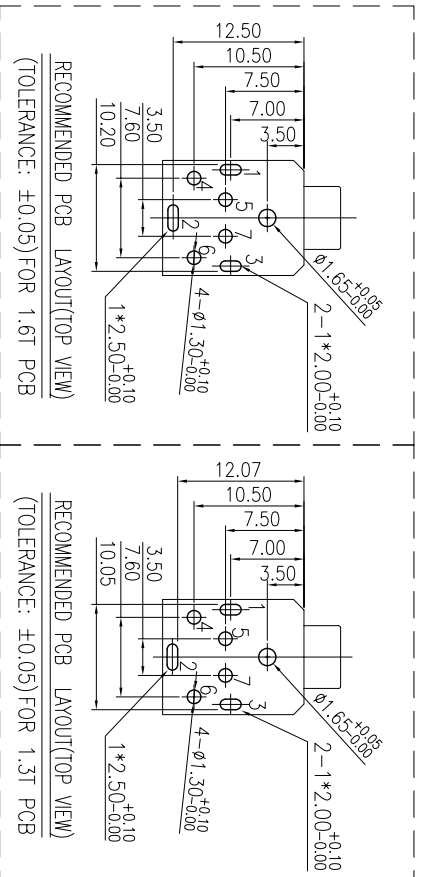


- SPECIFICATIONS:**
- ELECTRICAL CHARACTERISTICS:**
 - 1-1. RATING: 12V 1A
 - 1-2. CONTACT RESISTANCE: 30mΩ_{MAX}(BEFORE)
 - 1-3. DIELECTRIC VOLTAGE WITHSTAND: 500V AC FOR ONE MINUTE
 - 1-4. INSULATION RESISTANCE: 100MΩ_{MIN}. MEASURED BY 500 VDC
 - MECHANICAL CHARACTERISTICS:**
 - 2-1. INSERTED FORCE : 0.5~3.0KGf.
 - 2-2. WITHDRAWAL FORCE : 0.3~3.0 KGf
 - LIFE TEST: 5,000 CYCLES MIN.
 - OTHERS TO CONFORM TO THE SINGATRON HSF SPECIFICATION.
 - HALOGEN FREE PRODUCT IDENTIFICATION MARK:
 - HALOGEN FREE PRODUCT IDENTIFICATION LABEL ON PACKAGING:
 - FOR WAVE SOLDERING LEAD-FREE PROCESS.
 - PACKAGING: TRAY.

REV.	ECN NO.	OR DESCRIPTION	REVISED	DATE
A		PRODUCT RELEASE	Sticky	2011.08.31
B		ENHC110325 ADD GROUND	Longliang	2011.11.22
C		ENHC120225 UPDATE DRAWING	DAOWEN	2012.07.10



3.5φ 4POLE PLUG(TOLERANCE: ±0.05)

NO	DESCRIPTION	QTY	MATERIAL	PLATING & COLOR
1	GROUND SPRING	1	SUS 0.2T	
H	TRANSFER TERMINAL	2	COPPER ALLOY 0.2T	GOLD FLASH
G	BREAK TERMINAL	2	COPPER ALLOY 0.3T	GOLD FLASH
F	RING SPRING	1	COPPER ALLOY 0.25T	GOLD FLASH
E	TIP SPRING	1	COPPER ALLOY 0.3T	GOLD FLASH
D	EARTH SPRING	1	COPPER ALLOY 0.25T	GOLD FLASH
C	SEPARATOR	1	THERMOPLASTIC UL 94V-0	WHITE
B	COVER	1	THERMOPLASTIC UL 94V-0	WHITE
A	BODY	1	THERMOPLASTIC UL 94V-0	BLACK
NO	DESCRIPTION	QTY	MATERIAL	PLATING & COLOR

UNLESS OTHERWISE SPECIFIED TOLERANCES:

DECIMALS: ANGLES:

X : ±0.5 X : ±2°

X.X : ±0.3 X.X : ±1'

X.XX : ±0.2

Singaton Enterprise Co., Ltd.
信音企業股份有限公司

PART NO. 2SJ-0900-016F

SCALE 2:1

SIZE: A3

SHEET: 10F1

REV: C

CUSTOMER COPY