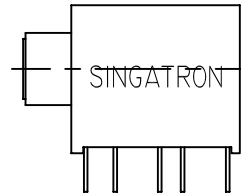
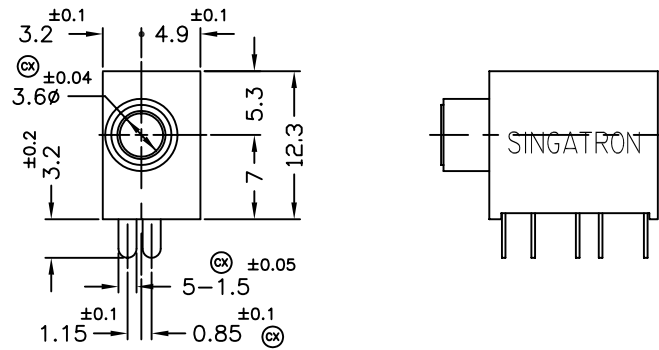
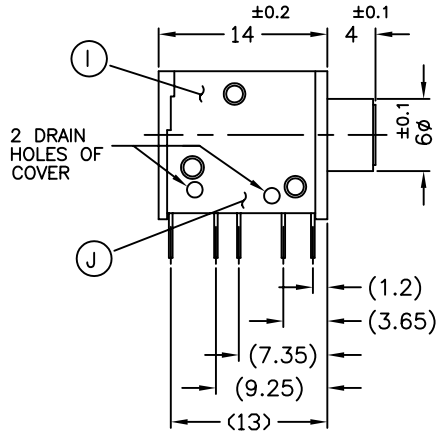
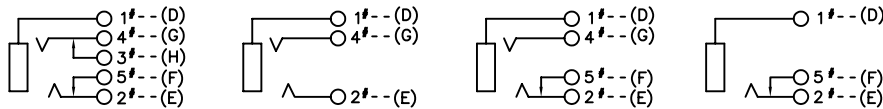
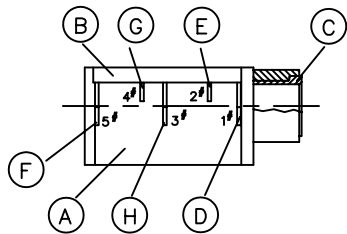
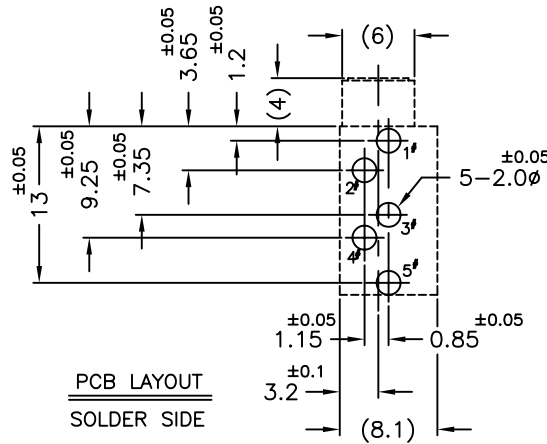


REV.	ECN NO OR DESCRIPTION	REVISED	DATE
A	PRODUCT RELEASE	JON	08/24'05



SPECIFICATIONS:

- ELECTRICAL REQUIREMENTS:
  - CURRENT CARRYING RATING: 24V DC 2AMP MAX.
  - CONTACT RESISTANCE:
    - INITIAL (BEFORE ANY TESTING): 20 MILLIOHMS MAX.
    - AFTER 500 CYCLES TEST: 50 MILLIOHMS MAX.
  - INSULATION RESISTANCE: 50 MEGOHMS MIN. AT 500V DC.
  - DIELECTRIC WITHSTANDING VOLTAHE: 250V AC FOR 1 MINUTE.
- MECHANICAL REQUIREMENTS:
  - INSERTION FORCE: 0.4KG - 1.6KG
  - WITHDRAWAL FORCE: 0.4KG - 1.4KG
  - MECHANICAL LIFE CYCLES: AFTER 5,000 CYCLES WITHOUT BREAKDOWN.
- TO CONFORM TO THE "SE-01-001" & "ROHS DIRECTIVE"
- GREEN PRODUCT IDENTIFICATION MARK IN JACK:
- GREEN PRODUCT IDENTIFICATION LABEL IN PACKING: **G.P.PASS**
- FOR LEAD-FREE PROCESS.
- PRESENT CRITICAL DIMENSIONS.



CIRCUIT: FIG. 1 FIG. 2 FIG. 3 FIG. 4

J	COIL SPRING-B	1	SUS	
I	COIL SPRING-A	1	SUS	
H	SHUNT TERMINAL-B	1	BRASS 0.3t	SILVER PLATING
G	RING SPRING	1	BRASS 0.25t	SILVER PLATING
F	SHUNT TERMINAL-A	1	BRASS 0.3t	SILVER PLATING
E	TIP SPRING	1	BRASS 0.3t	SILVER PLATING
D	EARTH TERMINAL	1	BRASS 0.3t	SILVER PLATING
C	METAL	1	BRASS	NICKEL PLATING
B	COVER	1	HIGH TEMP. THERMOPLASTIC	BLACK COLOR
A	BODY	1	HIGH TEMP. THERMOPLASTIC	PINK COLOR (PANTONE NO. 701C)

DRAWING NO.	CIRCUIT FIG.	TIP SPRING	RING SPRING	SHUNT TERMINAL-A	SHUNT TERMINAL-B
2SJ-4372-005	FIG. 1	1	1	1	1
2SJ-4373-005	FIG. 2	1	1		
2SJ-4374-005	FIG. 3	1	1	1	
2SJ-4375-005	FIG. 4	1		1	

NO	DESCRIPTION	QTY	MATERIAL	PLATING & COLOR
UNLESS OTHERWISE SPECIFIED TOLERANCES				
			SINGATRON Enterprise Co., Ltd. 信音電子(中山)有限公司	
DECIMALS:		ANGLES:		TITLE: $\phi$ 3.5 STEREO JACK
X	: $\pm 0.5$	X	: $\pm 2^\circ$	DWN JON 08/24'05
X.X	: $\pm 0.3$	X.X	: $\pm 1^\circ$	<b>PART NO. 2SJ-437-005</b>
X.XX	: $\pm 0.2$			CHKD SCALE: UNIT: mm
		APVD SEAN08/24'05	SIZE: A3	SHEET: 10F1 REV: A
<b>CUSTOMER COPY</b>				