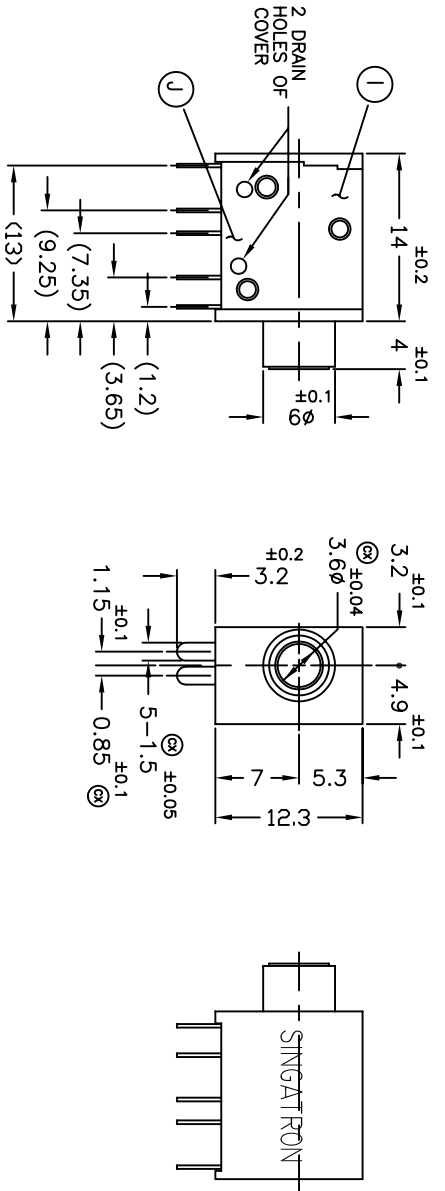
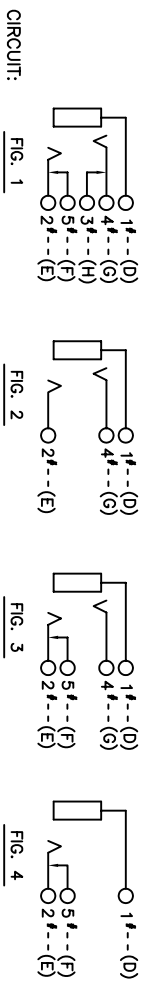
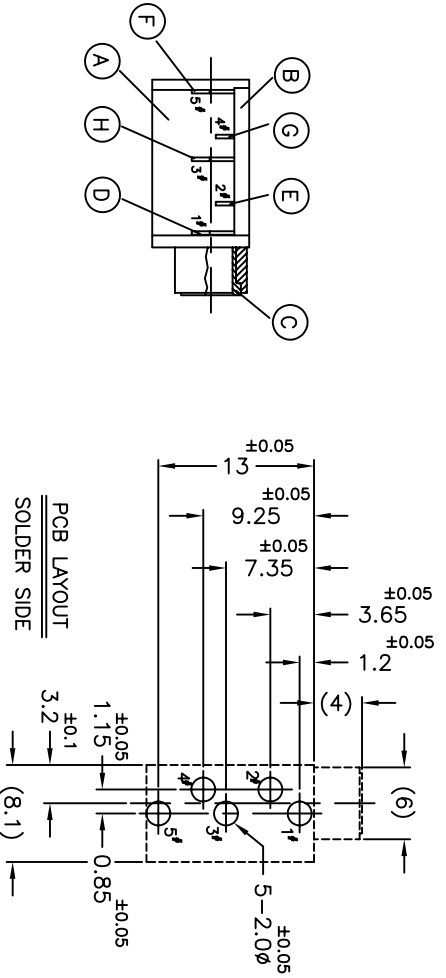


REV.	ECN NO OR DESCRIPTION	REVISED	DATE
A	PRODUCT RELEASE	JON	08/24/05



- SPECIFICATIONS:
- ELECTRICAL REQUIREMENTS:
 - CURRENT CARRYING RATING: 24V DC 2AMP MAX.
 - CONTACT RESISTANCE:
 - INITIAL (BEFORE ANY TESTING): 20 MILLIOHMS MAX.
 - AFTER 500 CYCLES TEST: 50 MILLIOHMS MAX.
 - INSULATION RESISTANCE: 50 MEGOHMS MIN. AT 500V DC.
 - DIELECTRIC WITHSTANDING VOLTAHE: 250V AC FOR 1 MINUTE.
 - MECHANICAL REQUIREMENTS:
 - INSERTION FORCE: 0.4KG - 1.6KG
 - WITHDRAWAL FORCE: 0.4KG - 1.4KG
 - MECHANICAL LIFE CYCLES: AFTER 5,000 CYCLES WITHOUT BREAKDOWN.
 - TO CONFORM TO THE "SE-01-001" & "ROHS DIRECTIVE"
 - GREEN PRODUCT IDENTIFICATION MARK IN JACK: **▲**
 - FOR LEAD-FREE PROCESS.
 - ⊗** PRESENT CRITICAL DIMENSIONS.



DRAWING NO.	CIRCUIT FIG.	TIP SPRING	RING SPRING	SHUNT TERMINAL-A	SHUNT TERMINAL-B
2SJ-4372-006	FIG. 1	1	1	1	1
2SJ-4373-006	FIG. 2	1	1		
2SJ-4374-006	FIG. 3	1	1	1	
2SJ-4375-006	FIG. 4	1			1

J	COIL SPRING-B	1	SUS	
I	COIL SPRING-A	1	SUS	
H	SHUNT TERMINAL-B	1	BRASS 0.3t	
G	RING SPRING	1	BRASS 0.25t	
F	SHUNT TERMINAL-A	1	BRASS 0.3t	
E	TIP SPRING	1	BRASS 0.3t	
D	EARTH TERMINAL	1	BRASS 0.3t	
C	METAL	1	BRASS	
B	COVER	1	HIGH TEMP. THERMOPLASTIC	
A	BODY	1	HIGH TEMP. THERMOPLASTIC	
NO	DESCRIPTION	QTY	MATERIAL	PLATING & COLOR

DECIMALS:	ANGLES:
X : ±0.5	X : ±2°
X.X : ±0.3	X.X : ±1°
X.XX : ±0.2	

TITLE	PART NO.
DWN	2SJ-437□-006
CHKD	
APVD	

SCALE: SIZE: A3 SHEET: 10F1 REV: A

Singatron Enterprise Co., Ltd.
信譽電子(中山)有限公司

Ø3.5 STEREO JACK
CUSTOMER COPY