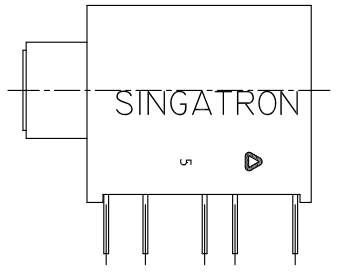
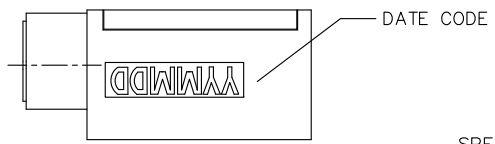
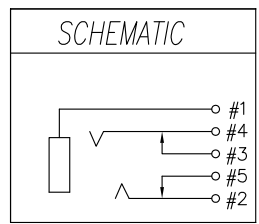
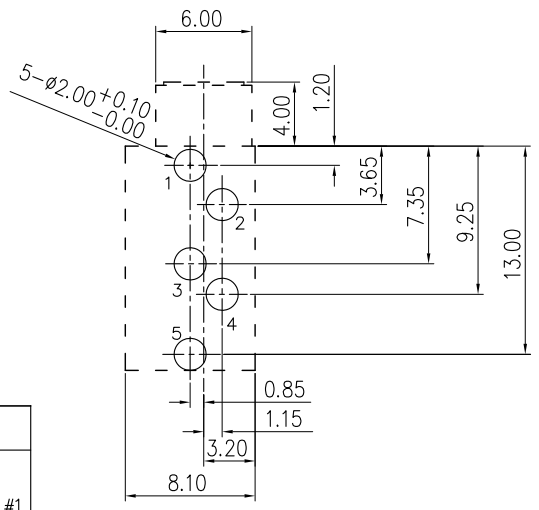
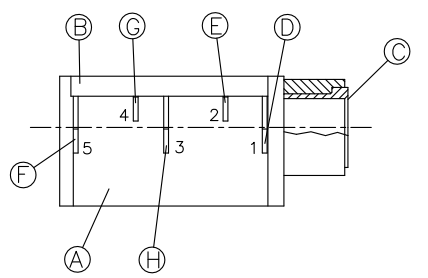
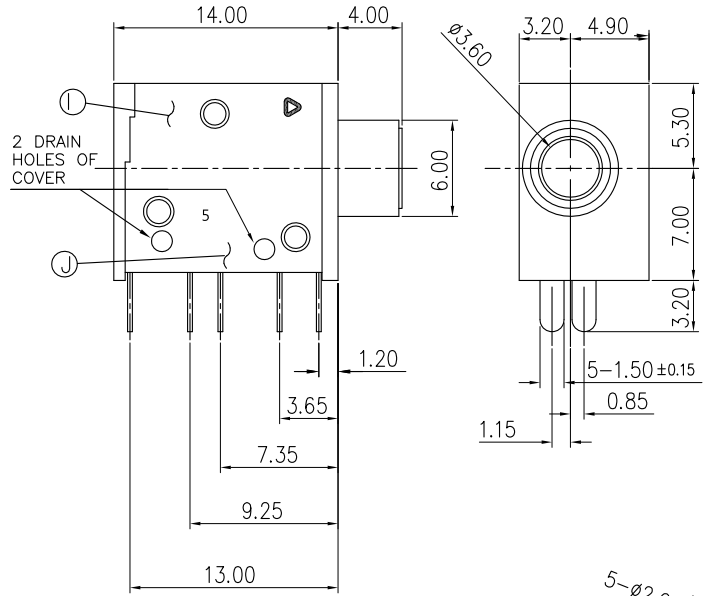


REV.	ECN NO OR DESCRIPTION	REVISED	DATE
A	PRODUCT RELEASE	Zhibin-Wei	2014.03.14



- SPECIFICATIONS :
- ELECTRICAL REQUIREMENTS :
 - CURRENT CARRYING RATING: 24V DC 2AMP MAX.
 - CONTACT RESISTANCE :
 - INITIAL (BEFORE ANY TESTING) : 20 MILLIOHMS MAX.
 - AFTER 500 CYCLES TEST : 50 MILLIOHMS MAX.
 - INSULATION RESISTANCE : 30 MEGOHMS MIN. AT 500V DC.
 - DIELECTRIC WITHSTANDING VOLTAHE : 250V AC FOR 1 MINUTE.
 - MECHANICAL REQUIREMENTS :
 - INSERTION FORCE : 0.4KG - 1.6KG
 - WITHDRAWAL FORCE : 0.4KG - 1.4KG
 - MECHANICAL LIFE CYCLES : AFTER 5,000 CYCLES WITHOUT BREAKDOWN.
 - OTHER GENERAL SPEC TO REFER "2SJ-4372-015F SPEC"
 - SOLDER HEAT RESISTANCE: WAVE SOLDERING 260°C 10SECS.
 - TO CONFORM TO SINGATRON HAZARDOUS SUBSTANCE FREE SPEC.
 - HALOGEN FREE PRODUCT IDENTIFICATION LABEL ON PACKAGING:
 - FOR LEAD-FREE PROCESS.
 - PRINTED DATE CODE "YYMMDD" ON TOP OF CONNECTOR.

DATE CODE: YYMMDD
 DD: DAY
 MM: MONTH
 YY: YEAR



PCB LAYOUT
SOLDER SIDE

J	COIL SPRING-B	1	SUS	N/A
I	COIL SPRING-A	1	SUS	N/A
H	SHUNT TERMINAL-B	1	Copper Alloy 0.3t	Ag plating
G	RING SPRING	1	Copper Alloy 0.25t	Ag plating
F	SHUNT TERMINAL-A	1	Copper Alloy 0.3t	Ag plating
E	TIP SPRING	1	Copper Alloy 0.3t	Ag plating
D	EARTH TERMINAL	1	Copper Alloy 0.3t	Ag plating
C	METAL	1	Copper Alloy	Nickel
B	COVER	1	THERMOPLASTIC UL 94V-0	本色
A	BODY	1	THERMOPLASTIC UL 94V-0	BLACK
NO	DESCRIPTION	QTY	MATERIAL	PLATING & COLOR

UNLESS OTHERWISE SPECIFIED TOLERANCES

Singatron Enterprise Co., Ltd.
信音企業股份有限公司

DECIMALS: ANGLES: TITLE: 3.5φ PHONE JACK

X : ±0.5 X : ±2° DWN WZB 14/3/24 PART NO. 2SJ-4372-015F

X.X : ±0.3 X.X : ±1° CHKD Ares 14/3/24 SCALE 5:1 UNIT: mm

X.XX : ±0.2 APVD Jioo 14/3/24 SIZE: A3 SHEET: 10F1 REV: A

CUSTOMER COPY