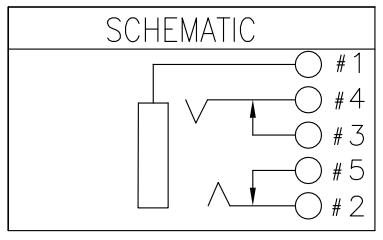
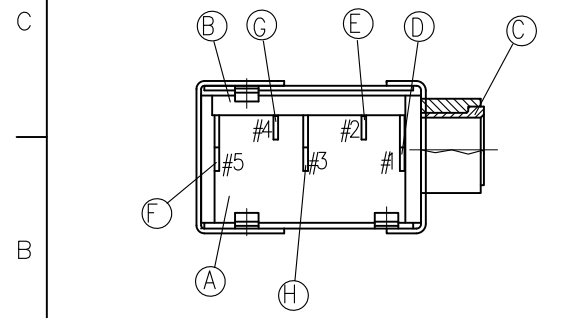
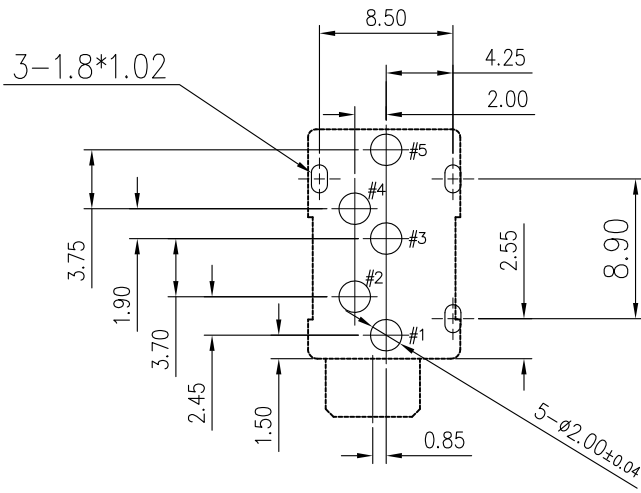
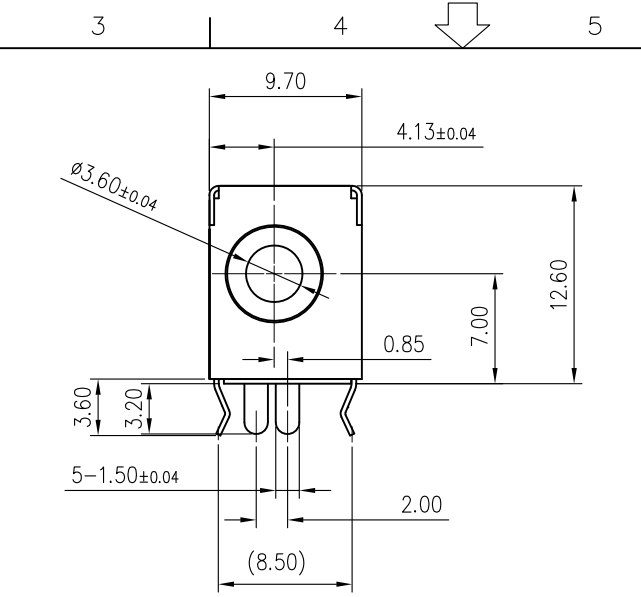
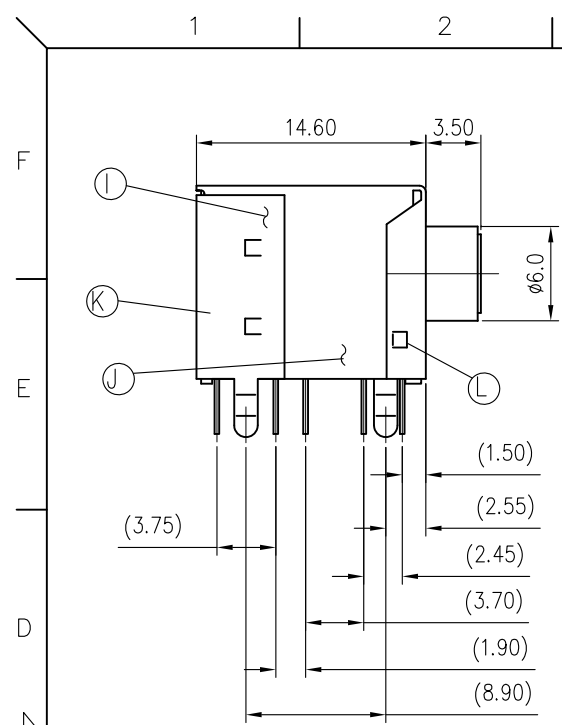


REV.	ECN NO OR DESCRIPTION	REVISED	DATE
E	UPDATE DWG ECN No.:C080233-3/4	CHARLUE	2008.10.23
F	ECN NO.: T0900047	KENSON	8/27'09
G	ECN NO.: T0900047 2SJ-437X-F03 2SJ-4373/4/5-F03	HAODU	2010.5.21

SPECIFICATIONS:

- ELECTRICAL CHARACTERISTICS:
 - RATING: 24V 2A
 - CONTACT RESISTANCE: 20mΩ MAX.(INITIAL)
 - DIELECTRIC WITHSTANDING VOLTAGE: 250V AC FOR ONE MINUTE.
 - INSULATION RESISTANCE: 50MΩ MIN. MEASURED BY 500 VDC
- MECHANICAL CHARACTERISTICS:
 - INSERTION FORCE : 0.4~1.6 KGF
 - WITHDRAWAL FORCE : 0.4~1.4KGF
- LIFE TEST: 5,000 CYCLES MIN.
- OTHER GENERAL SPEC. TO REFER "2SJ437X SERIES SPEC".
- TO CONFORM TO THE SINGATRON HAZARDOUS SUBSTANCE FREE SPEC.
- GREEN PRODUCT IDENTIFICATION MARK ON JACK:
- GREEN PRODUCT IDENTIFICATION LABEL ON PACKAGING: **G.P. PASS**
- FOR WAVE SOLDERING LEAD-FREE PROCESS.



NO	DESCRIPTION	QTY	MATERIAL	PLATING & COLOR
L	SHIELDING B	1	SPCC 0.3t	TIN(LEAD-FREE) PLATING
K	SHIELDING A	1	SPCC 0.3t	TIN(LEAD-FREE) PLATING
J	COIL SPRING-B	1	SUS	N/A
I	COIL SPRING-A	1	SUS	N/A
H	SHUNT TERMINAL-B	1	BRASS 0.3t	SILVER PLATING
G	RING SPRING	1	BRASS 0.25t	SILVER PLATING
F	SHUNT TERMINAL-A	1	BRASS 0.3t	SILVER PLATING
E	TIP SPRING	1	BRASS 0.3t	SILVER PLATING
D	EARTH TERMINAL	1	BRASS 0.3t	SILVER PLATING
C	METAL	1	BRASS	NICKEL PLATING
B	COVER	1	POLYCARBONATE UL 94V-0	TRANSPARENT
A	BODY	1	PBT UL 94V-0	LIGHT BLUE COLOR(PANTONE NO. 284C)

UNLESS OTHERWISE SPECIFIED TOLERANCES		Singatron Enterprise Co., Ltd. 信音企業股份有限公司	
DECIMALS:	ANGLES:	TITLE	DC POWER JACK
X : ±0.5	X : ±2°	DWN	10.07.07 PART NO. 2SJ-4372-F03
X.X : ±0.3	X.X : ±1°	CHKD	232.10.07.07 SCALE 3:1 UNIT: mm
X.XX : ±0.2		APVD	1100.10.07.07 SIZE: A3 SHEET: 1 OF 1 REV: G
CUSTOMER COPY			