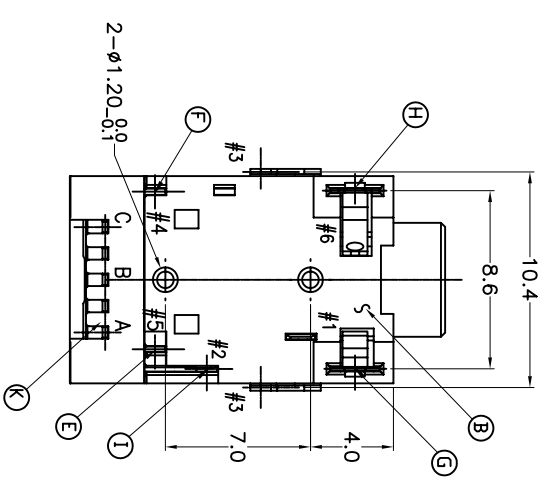
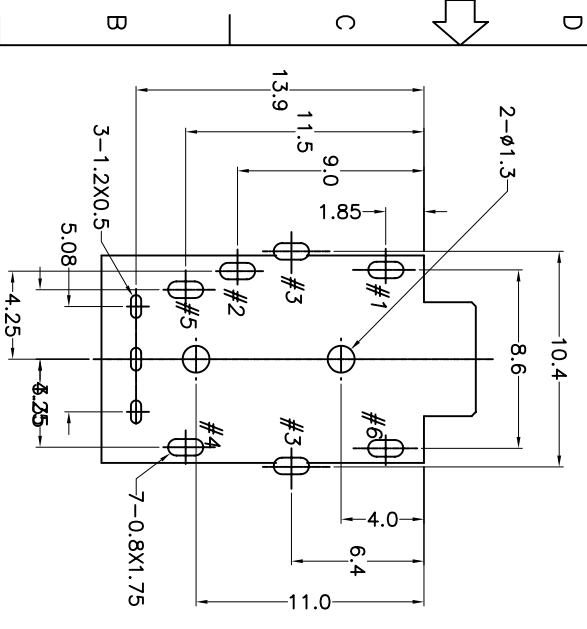
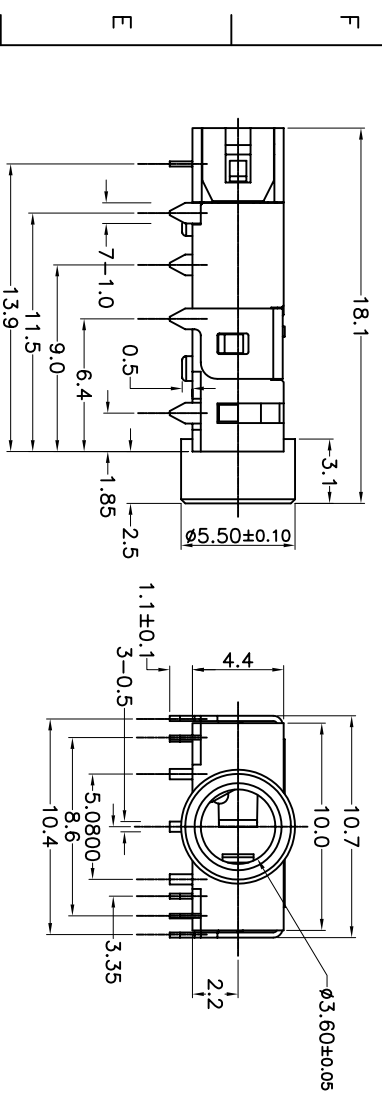


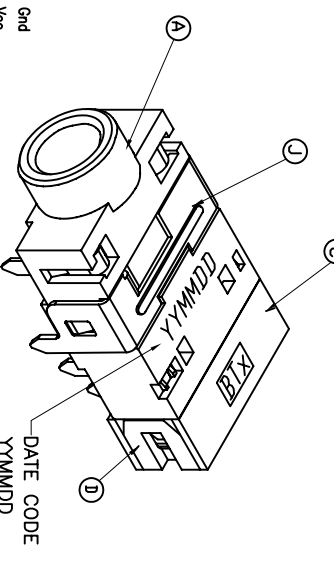
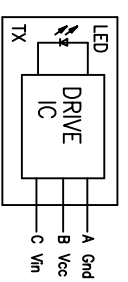
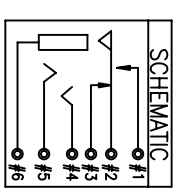
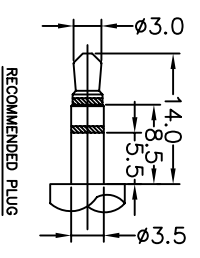
REV	ECN NO OR DESCRIPTION	REVISED	DATE
A	PRODUCT RELEASE	JERRY	2006.5.10

SPECIFICATIONS

1. SEE 2SU-A001-103 SPECIFICATIONS.
2. TO CONFORM TO THE "SE-01-001" & "ROHS DIRECTIVE"
3. GREEN PRODUCT IDENTIFICATION LABEL IN PACKING: **G.P. PASS**
4. FOR LEAD-FREE PROCESS.



Recommended Pads Layout
<TOP VIEW>
TOLERANCE : ± 0.05



DATE CODE
YYMMDD
YY:06~
MM:01~12
DD:01~31

K	IC DRIVE	1	
J	SHIELDING	1	PHOSPHOR BRONZE 0.25t
I	EARTH TERMINAL	1	COPPER ALLOY 0.2t
H	EARTH TERMINAL	1	COPPER ALLOY 0.2t
G	SHUNT TERMINAL	1	PHOSPHOR BRONZE 0.2t
F	TIP SPRING	1	COPPER ALLOY 0.3t
E	RING SPRING	1	PHOSPHOR BRONZE 0.25t
D	BACK COVER	1	HIGH TEMP THERMOPLASTIC UL 94V-0
C	CASE	1	HIGH TEMP THERMOPLASTIC UL 94V-0
B	INSULATOR	1	HIGH TEMP THERMOPLASTIC UL 94V-0
A	HOUSING	1	HIGH TEMP THERMOPLASTIC UL 94V-0
NO	DESCRIPTION	QTY	MATERIAL
UNLESS OTHERWISE SPECIFIED TOLERANCES			
DECIMALS: ANGLES:			
X	:±0.5	X	:±2°
X.X	:±0.3	X.X	:±1°
X.XX	:±0.2		
TITLE: 3.5Ø PHONE JACK			
DWG: JERRY 2006.5.10 PART NO. 2SU-A001-103			
CHKD: BETH 2006.5.11 SCALE: 4/1 UNIT: mm			
APVD: HW 2006.5.10 SIZE: A3 SHEET: 1 OF 1 REV: A			
CUSTOMER COPY			

Singatron Enterprise Co., Ltd.
信音企業股份有限公司