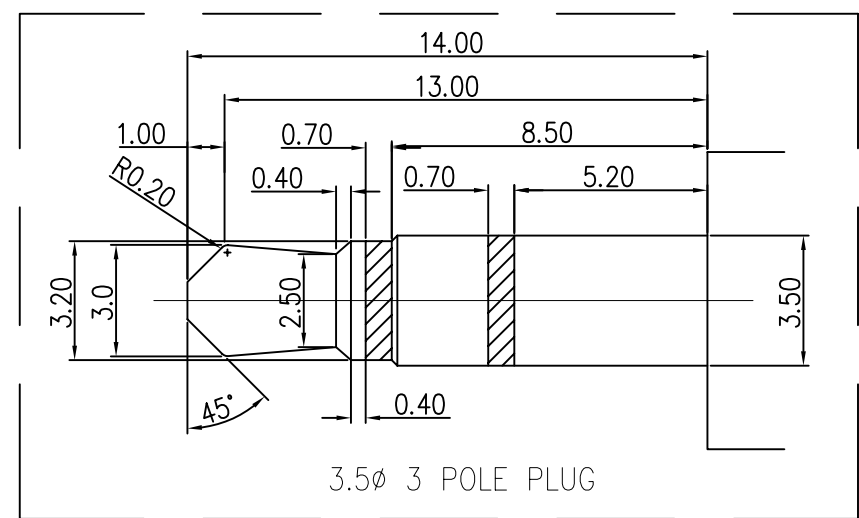
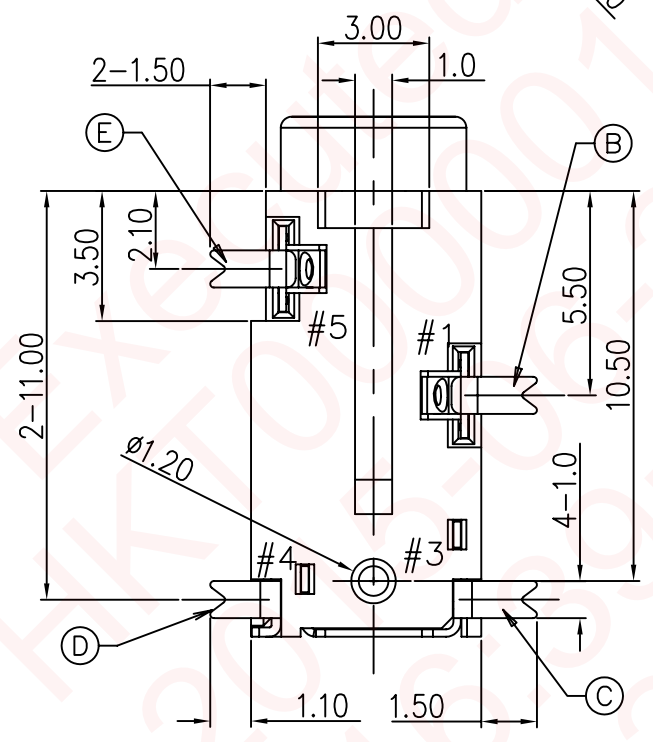
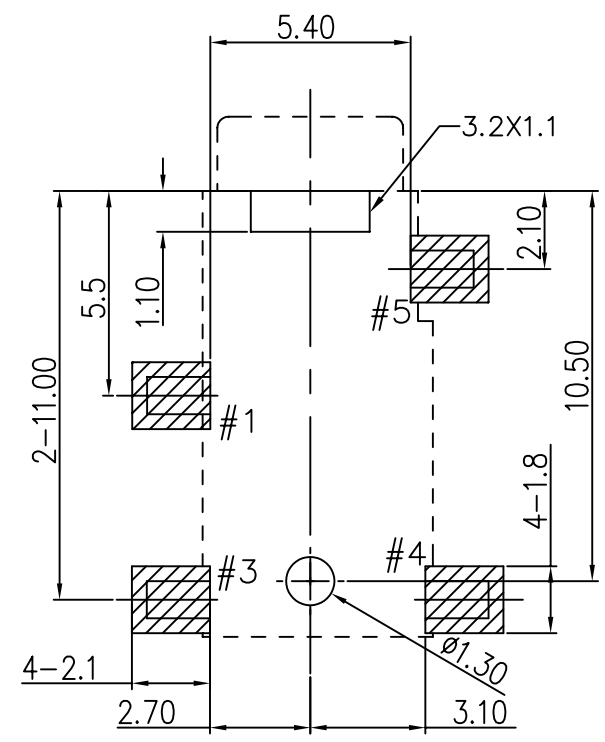
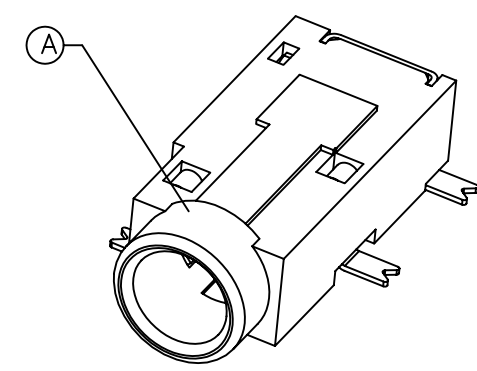
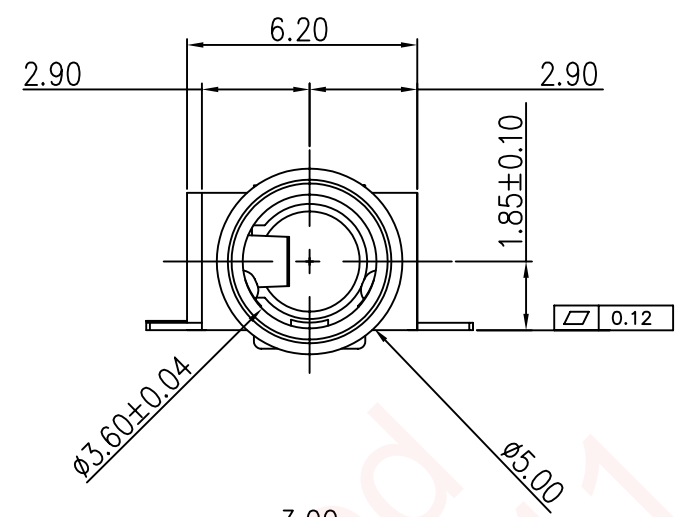
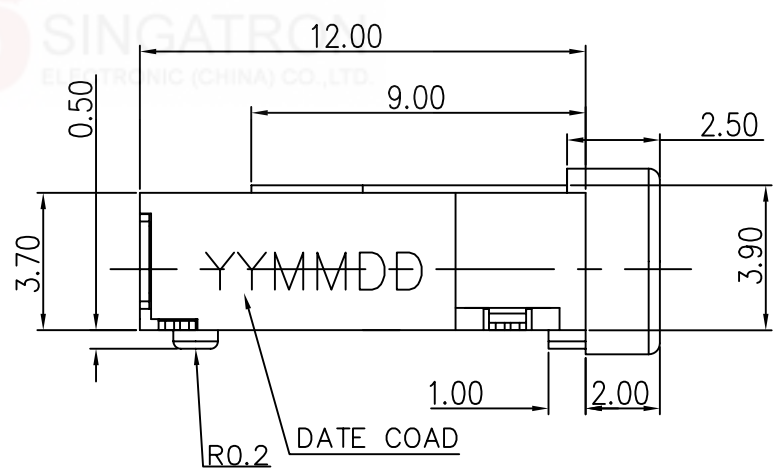
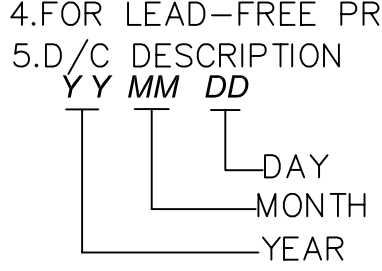
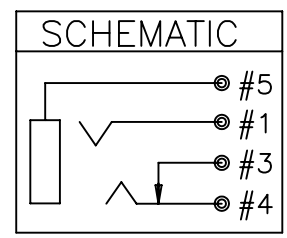


| REV. | ECN NO OR DESCRIPTION      | REVISED   | DATE       |
|------|----------------------------|-----------|------------|
| A    | PRODUCT RELEASED           | CHARLIE   | 11/06'07   |
| B    | ECN:C150074 MODIFY DRAWING | Longjiang | 2015/06/09 |



PCB LAYOUT(TOLERANCE ±0.05)  
( TOP VIEW )

- NOTE :
- 1.SEE 2SJ-X382 SERIES SPECIFICATIONS.
  - 2.TO CONFORM TO THE "SE-01-001" & "ROHS DIRECTIVE"
  - 3.GREEN PRODUCT IDENTIFICATION LABEL IN PACKING: **G.P. PASS**
  - 4.FOR LEAD-FREE PROCESS.
  - 5.D/C DESCRIPTION



| NO | DESCRIPTION    | QTY | MATERIAL                | PLATING & COLOR |
|----|----------------|-----|-------------------------|-----------------|
| E  | EARTH          | 1   | COPPER ALLOY 0.2T       | Ag 12u" MIN.    |
| D  | TIP SPRING     | 1   | COPPER ALLOY 0.25T      | Ag 12u" MIN.    |
| C  | SHUNT TERMINAL | 1   | COPPER ALLOY 0.20T      | Ag 12u" MIN.    |
| B  | RING SPRING    | 1   | COPPER ALLOY 0.20T      | Ag 12u" MIN.    |
| A  | HOUSING        | 1   | HIGH TEMP.THERMOPLASTIC | BLACK           |

UNLESS OTHERWISE SPECIFIED TOLERANCES

|             |           |       |                       |
|-------------|-----------|-------|-----------------------|
| DECIMALS:   | ANGLES:   | TITLE | 3.5φ PHONE JACK       |
| X : ±0.5    | X : ±2°   | DWN   | Longjiang-Cao 15/5/17 |
| X.X : ±0.3  | X.X : ±1° | CHKD  | Zjz-Zhou 15/5/17      |
| X.XX : ±0.2 |           | APVD  | Zjz-Zhou 15/5/17      |

Singatron Electronic Co., Ltd.  
信音企業股份有限公司

**PART NO.2SJ-A382-003**

SCALE:4:1 UNIT: mm

SIZE: A3 SHEET:1 OF 1

**REV:B**

**CUSTOMER COPY**