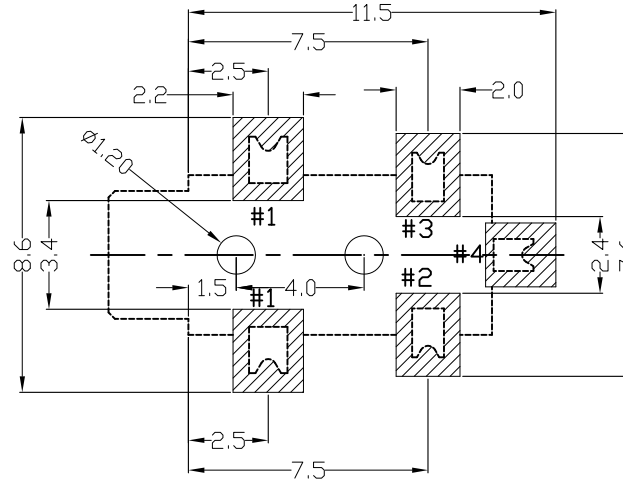
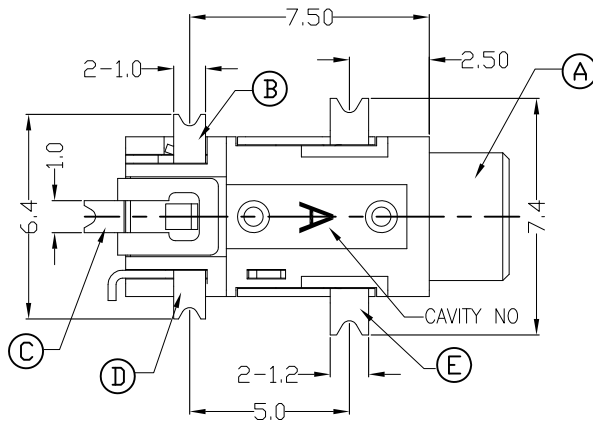
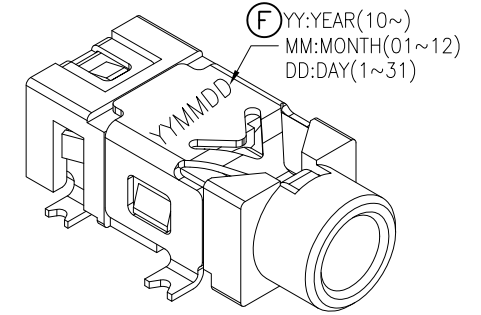
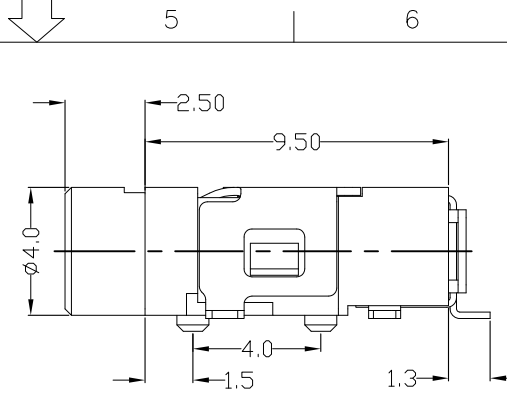
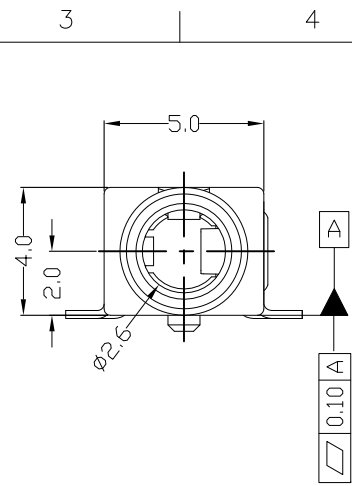
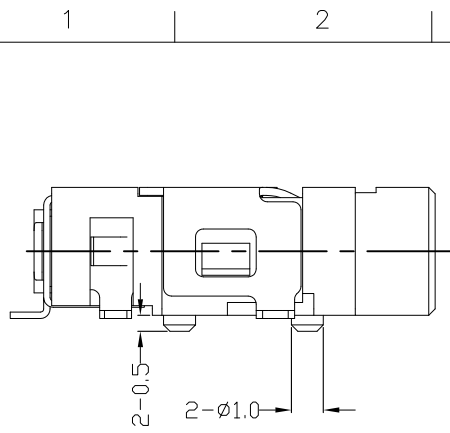


REV.	ECN NO OR DESCRIPTION	REVISED	DATE
D	ECN NO.L070012	LULU	2007.11.30
E	PDR NO. T090514-1A / SERIES APPROVE 2SJ-A413-002 — 2SJ-A413-0X2	IRENE	2009.10.14
F	ECR NO.L100022	IVY-C	2010.04.16
G	ECN NO.L100066	IVY-C	2010.12.20



PART NO.
2SJ-A413-0X2

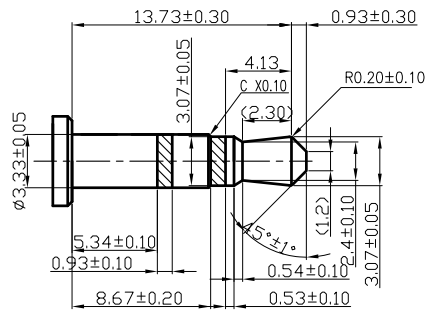
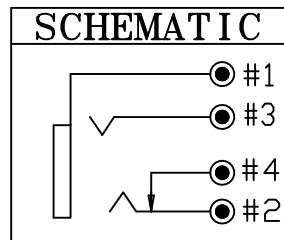
HOUSING MATERIAL
0: LCP UL 94V-0
1: PA10T UL 94V-0

SPECIFICATIONS:

1. SEE "2SJ-A413 SERIES" SPECIFICATIONS.
2. TO CONFORM TO SINGATRON HAZARDOUS SUBSTANCE FREE SPEC.
3. HALOGEN FREE PRODUCT IDENTIFICATION LABEL ON PACKAGING:
4. FOR REFLOW SOLDERING LEAD-FREE PROCESS.
5. PACKAGE : SEE "2SJ-A413 SERIES" PACKAGE.
6. PACKAGE : TAPE & REEL



Recommended PCB Layout
<TOP VIEW>



2.5mm 3 POLE PLUG DETAIL DRAWING

NO	DESCRIPTION	QTY	MATERIAL	PLATING & COLOR
F	INK	1		BLACK
E	EARTH SPRING	1	PHOSPHOR BRONZE	GOLD FLASH
D	TIP SPRING	1	PHOSPHOR BRONZE	GOLD FLASH
C	SHUNT TERMINAL	1	BRASS	GOLD FLASH
B	RING SPRING	1	PHOSPHOR BRONZE	GOLD FLASH
A	HOUSING	1	SEE "PART NO"	BLACK COLOR

UNLESS OTHERWISE SPECIFIED TOLERANCES



Singatron Enterprise Co., Ltd.
信音企業股份有限公司

DECIMALS: ANGLES:
X :±0.5 X :±2°
X.X :±0.3 X.X :±1°
X.XX :±0.2

TITLE	Ø2.5 PHONE JACK (SMT TYPE)		
DWN	NY-C 2010.12.20	PART NO. 2SJ-A413-0X2	
CHKD	DAWD-T 2010.12.20	SCALE:N/A	UNIT: mm
APVD	DAWD-T 2010.12.20	SIZE: A3	SHEET: 1 OF 1 REV: G

CUSTOMER COPY