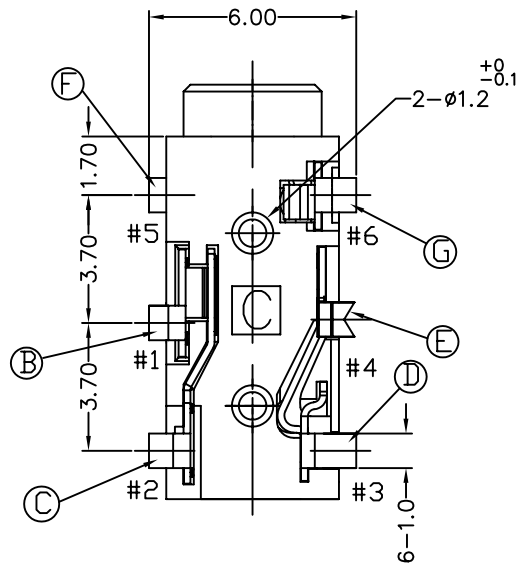
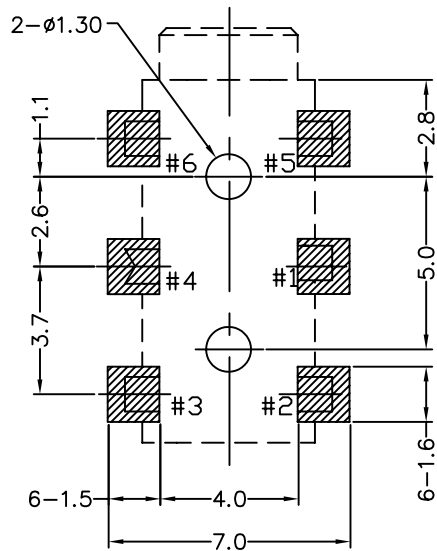
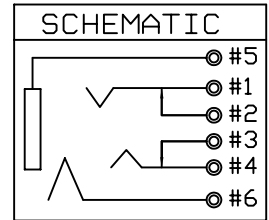
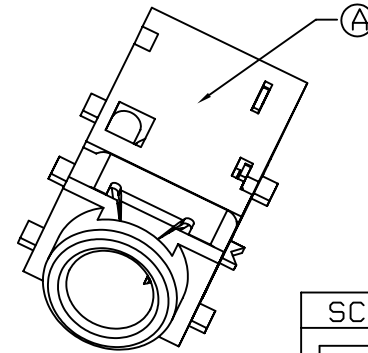
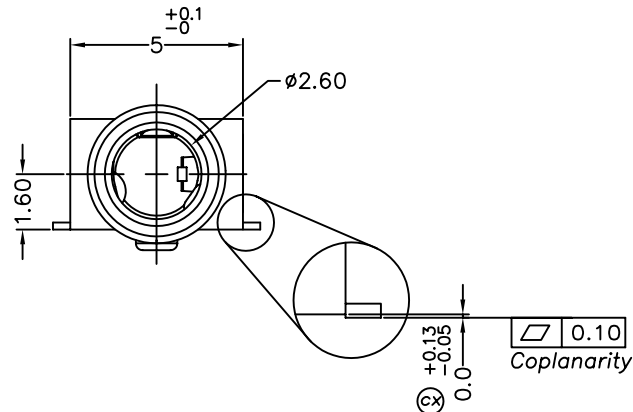
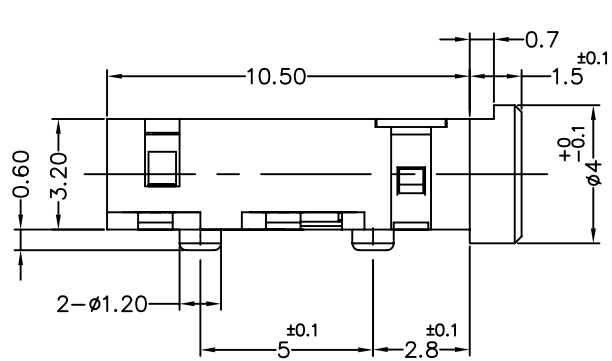


REV.	ECN NO OR DESCRIPTION	REVISED	DATE
B	REVISE THE SPEC.	AMY	2004-10-28
C	REVISE RING SPRING A AND TIP SPRING OF MATERIAL	BERYL	2004-12-27
D	ECN NO.940304	BERYL	2005.12.25



SPECIFICATIONS:

- SEE 2SJ-A427 SERIES SPECIFICATIONS.
- TO CONFIRM TO THE "SE-01-001"& "ROHS DIRECTIVE".
- GREEN PRODUCT IDENTIFICATION LABEL IN PACKING: **G.P. PASS**
- SOLDERABILITY AND MAX. SOLDER TEMPERATURE ACCORDING ICP /JEDEC J-STD-020C.

NO	DESCRIPTION	QTY	MATERIAL	PLATING & COLOR
G	RING SPRING B	1	PHOSPHOR BRONZE 0.2t	GOLD FLASH
F	EARTH	1	PHOSPHOR BRONZE 0.2t	GOLD FLASH
E	TIP SPRING	1	COPPER ALLOY 0.2t	GOLD FLASH
D	SHUNT TERMINAL-A	1	BRASS 0.2t	GOLD FLASH
C	SHUNT TERMINAL-B	1	PHOSPHOR BRONZE 0.2t	GOLD FLASH
B	RING SPRING A	1	COPPER ALLOY 0.2t	GOLD FLASH
A	HOUSING	1	PA-9T UL 94V-0	BLACK COLOR

UNLESS OTHERWISE SPECIFIED TOLERANCES

Singatron Enterprise Co., Ltd.
信音企業股份有限公司

DECIMALS:	ANGLES:	TITLE
X :±0.5	X :±2°	2.5∅ PHONE JACK
X.X :±0.3	X.X :±1°	DWN BERYL 2005.12.25 PART NO. 2SJ-A427-002
X.XX :±0.2		CHKD KAN 2005.12.27 SCALE:3/2 UNIT: mm
		APVD ALAN 2005.12.27 SIZE: A3 SHEET:1 OF 1 REV: D

CUSTOMER COPY