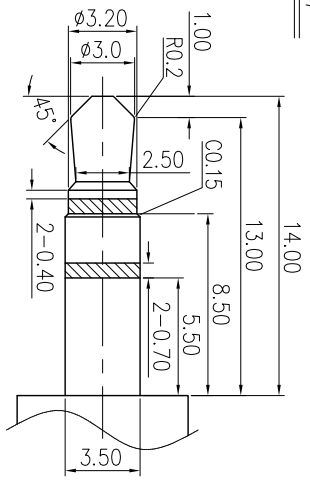
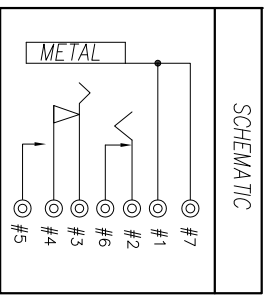
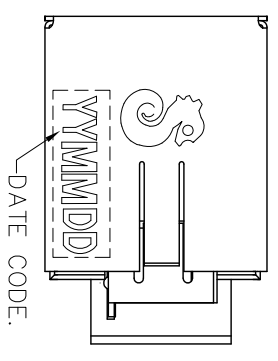


RECOMMENDED PCB LAYOUT
TOP VIEW (TOL.±0.05)

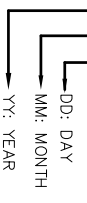


Ø3.5 3 POLE PLUG
TOLERANCE: ±0.05



SPECIFICATIONS:

- ELECTRICAL CHARACTERISTICS:
 - RATING: 12V 1A
 - CONTACT RESISTANCE: 30mΩ MAX.(INITIAL)
 - DIELECTRIC WITHSTANDING VOLTAGE: 500V AC FOR ONE MINUTE.
 - INSULATION RESISTANCE: 100MΩ MIN. MEASURED BY 500 VDC.
- MECHANICAL CHARACTERISTICS:
 - INSERTION FORCE : 0.4~3.0 KGF.
 - WITHDRAWAL FORCE : 0.3~2.0KGF.
- LIFE TEST: 5,000 CYCLES MIN.
- OTHER GENERAL SPEC. TO REFER "2SJ-□351 SPEC".
- PACKAGING : TAPE & REEL.
- TO CONFORM TO SINGATRON HAZARDOUS SUBSTANCE FREE SPEC
- HALOGEN FREE PRODUCT IDENTIFICATION MARK ON PRODUCT
- HALOGEN FREE PRODUCT IDENTIFICATION LOGO ON PACKAGING
- FOR LEAD-FREE PROCESS.
- PRINTED DATE CODE "YMMDD" ON TOP OF CONNECTOR.



REV.	ECN NO OR DESCRIPTION	REVISED	DATE
A	PDR NO: T101211-7A	Spring	2011/01/21
B	ECN NO: S110723	Spring	2011/07/18
C	ECN NO: S120815	Cerry	2012/10/17

I	METAL	1	BRASS	Ni 60u"
H	SHIELDING	1	COPPER ALLOY 0.2t	
G	TRANSFER TERMINAL	1	PHOSPHOR BRONZE 0.2t	120u" SN ON SOLDER AREA, 60D FLASH ON CONTACT AREA, ALL OVER 50u" NI.
F	BREAK TERMINAL	1	BRASS 0.25t	
E	RING SPRING	1	PHOSPHOR BRONZE 0.2t	
D	SHUNT TERMINAL-A	1	PHOSPHOR BRONZE 0.2t	60D FLASH ON CONTACT AREA, 50u" NI MIN ON SOLDER AREA.
C	TIP SPRING	1	PHOSPHOR BRONZE 0.25t	Ag 20u" Min OVER 50u" NI.
B	EARTH	1	COPPER ALLOY 0.3t	
A	BODY	1	HIGH TEMP.THERMOPLASTIC UL 94V-0	BLACK
NO	DESCRIPTION	QTY	MATERIAL	PLATING & COLOR
UNLESS OTHERWISE SPECIFIED TOLERANCES				
Singatron Enterprise Co., Ltd. 信音企業股份有限公司				
TITLE: 3.5Ø PHONE JACK				
DWN	Cerry	PART NO. 2SJ-B351-S39F		
CHKD	Tom	SCALE: 4:1	UNIT: MM	
APVD	Quan	SIZE: A3	SHEET: 1 OF 1	REV: C
CUSTOMER COPY				

DECIMALS: ANGLES:
X : ±0.5 X : ±2°
X X : ±0.3 X X : ±1°
X X X : ±0.2