

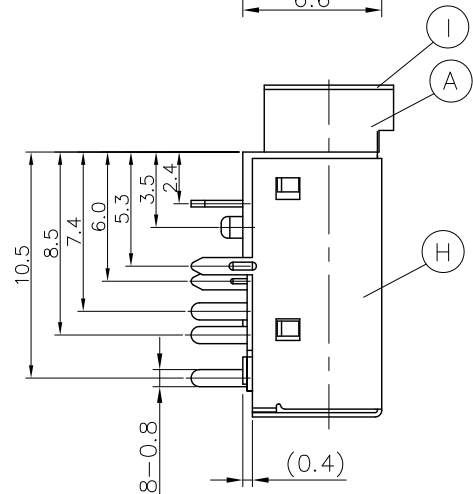
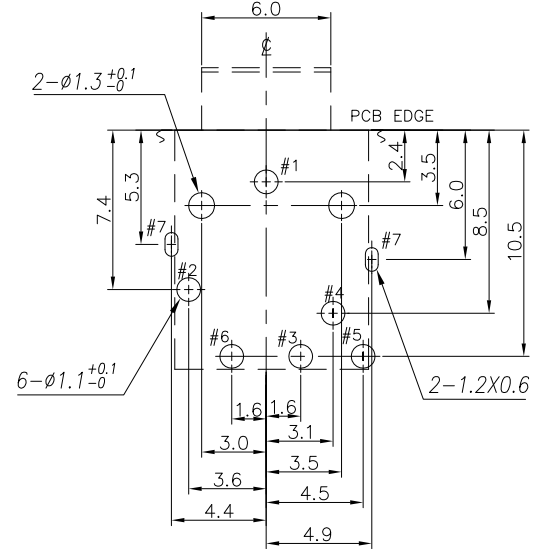
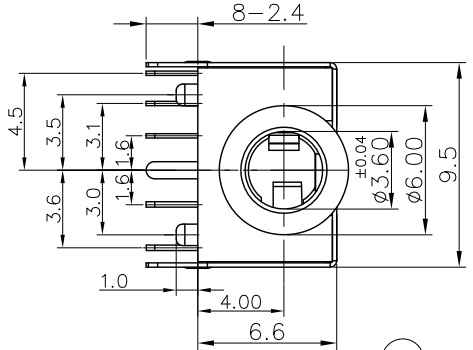
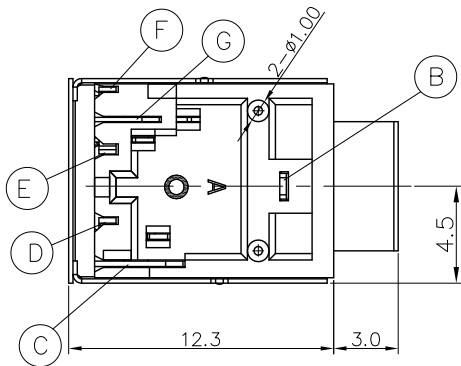
REV.	ECN NO OR DESCRIPTION	REVISED	DATE
A	PDR NO:T101111-2A	Spring	2011.03.09

SPECIFICATIONS:

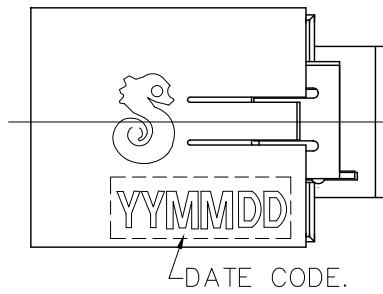
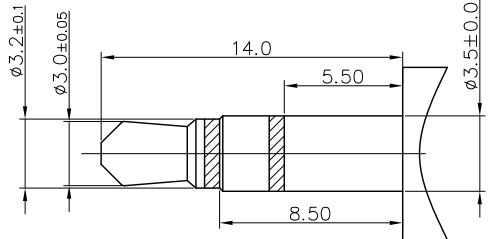
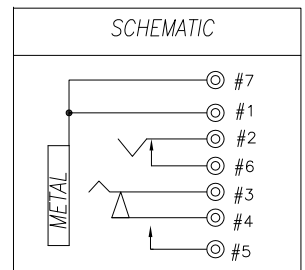
- ELECTRICAL CHARACTERISTICS:
 - RATING: 12V 1A
 - CONTACT RESISTANCE: 30mΩMAX.(INITIAL)
 - DIELECTRIC WITHSTANDING VOLTAGE: 500V AC FOR ONE MINUTE.
 - INSULATION RESISTANCE: 100MΩMIN. MEASURED BY 500 VDC
- MECHANICAL CHARACTERISTICS:
 - INSERTION FORCE : 0.4~3.0 KGF.
 - WITHDRAWAL FORCE : 0.3~2.0KGF.
- LIFE TEST: 5,000 CYCLES MIN.
- OTHER GENERAL SPEC. TO REFER "2SJ-□351 SPEC".
- PACKAGING : TAPE & REEL.
- TO CONFORM TO SINGATRON HAZARDOUS SUBSTANCE FREE SPEC
- HALOGEN FREE PRODUCT IDENTIFICATION MARK ON PRODUCT:
- HALOGEN FREE PRODUCT IDENTIFICATION LOGO ON PACKAGING:
- FOR LEAD-FREE PROCESS.
- PRINTED DATE CODE "YYMMDD" ON TOP OF CONNECTOR.

DD: DAY
MM: MONTH
YY: YEAR

I	METAL	1	BRASS	Ni 60u" MIN.
H	SHIELDING	1	COPPER ALLOY 0.2t	
G	TRANSFER TERMINAL	1	PHOSPHOR BRONZE 0.2t	GOLD FLASH ON CONTACT AREA; 120u" Matte Sn ON SOLDER TAIL; ALL OVER Ni 50u" MIN.
F	BREAK TERMINAL	1	BRASS 0.25t	
E	RING SPRING	1	PHOSPHOR BRONZE 0.2t	
D	SHUNT TERMINAL-A	1	PHOSPHOR BRONZE 0.2t	GOLD FLASH ON CONTACT AREA, OVER Ni 50u" MIN.
C	TIP SPRING	1	PHOSPHOR BRONZE 0.25t	
B	EARTH	1	COPPER ALLOY 0.3t	Ag 20u" OVER Ni 50u" MIN.
A	BODY	1	HIGH TEMP.THERMOPLASTIC UL 94V-0	BLACK
NO	DESCRIPTION	QTY	MATERIAL	PLATING & COLOR
UNLESS OTHERWISE SPECIFIED TOLERANCES			Singatron Enterprise Co., Ltd. 信音企業股份有限公司	
DECIMALS:		ANGLES:		TITLE
X :±0.5		X :±2°		3.5φ PHONE JACK
X.X :±0.3		X.X :±1°		
X.XX :±0.2				
DWN	Spring	PART NO. 2SJ-B351-S40F		SCALE:4:1 UNIT: MM
CHKD	BOYE	SIZE: A3	SHEET: 1 OF 1	
APVD	QUAN	REV:A		CUSTOMER COPY



RECOMMENDED PCB LAYOUT
TOP VIEW (TOL.±0.05)



RECOMMENDED PLUG
3-POLE