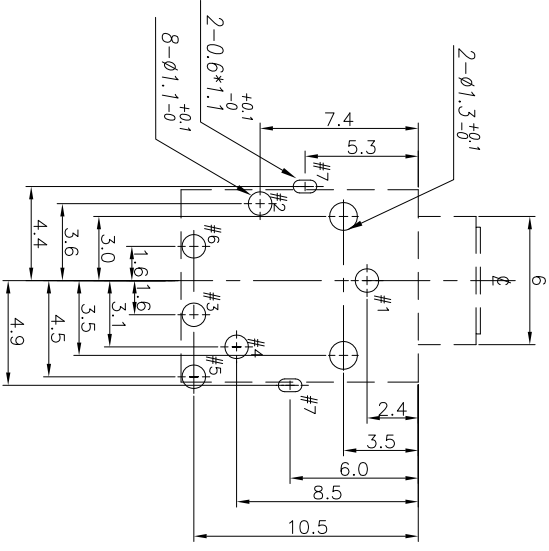
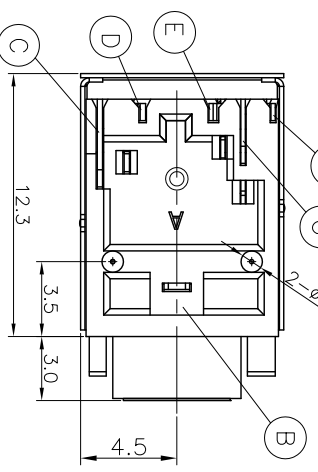


REV.	ECN NO OR DESCRIPTION	REVISED	DATE
A	PDR NO.:T101124-1B	DengFeng	2011.03.26



RECOMMENDED PCB LAYOUT
TOP VIEW (TOL.±0.05)

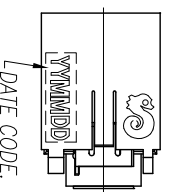
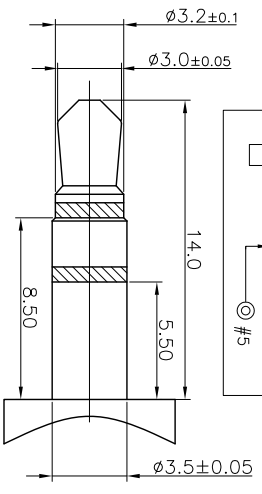
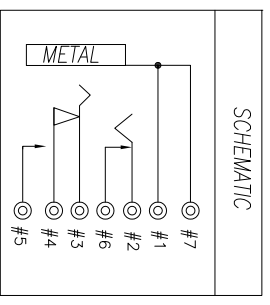
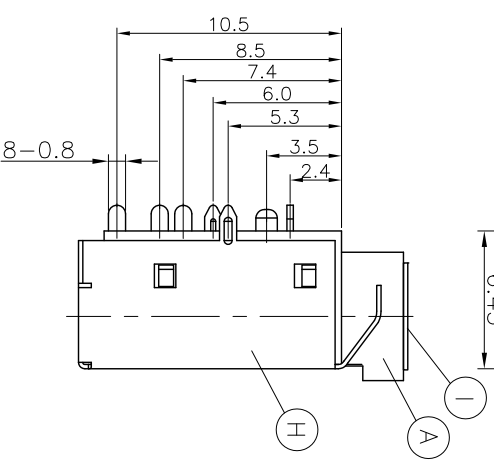
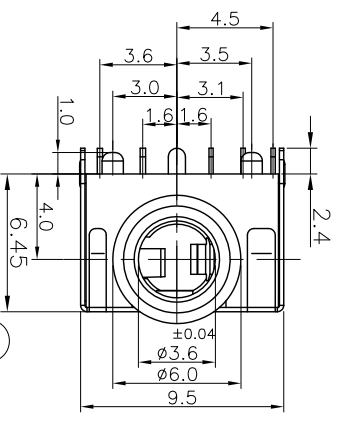


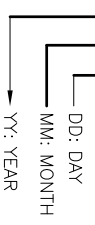
TABLE 1

COLOR	P/N	无卤标记
PINK COLOR(PAN.#701C)	2SU-B351-S43F	
LIME COLOR(PAN.#577C)	2SU-B351-S42F	



RECOMMENDED PLUG
3-POLE

- SPECIFICATIONS:
- ELECTRICAL CHARACTERISTICS:
 - RATING: 12V 1A
 - CONTACT RESISTANCE: $30m\Omega$ (INITIAL)
 - DIELECTRIC WITHSTANDING VOLTAGE: 500V AC FOR ONE MINUTE
 - INSULATION RESISTANCE: $100M\Omega$ MEASURED BY 500 VDC
 - MECHANICAL CHARACTERISTICS:
 - INSERTION FORCE: 0.4 - 3Kg.
 - WITHDRAWAL FORCE: 0.3 - 2Kg.
 - LIFE TEST: 5,000 CYCLES MIN.
 - OTHER GENERAL SPEC. TO REFER "2SU SERIES SPEC".
 - TO CONFORM TO SINGATRON HAZARDOUS SUBSTANCE FREE SPEC.
 - HALONGEN FREE PRODUCT IDENTIFICATION MARK ON JACK:
 - HALONGEN FREE PRODUCT IDENTIFICATION LABEL ON PACKAGING:
 - FOR REFLOW SOLDERING LEAD-FREE PROCESS.
 - PRINTED DATE CODE "MMDD" ON TOP OF CONNECTOR.



NO	DESCRIPTION	QTY	MATERIAL	PLATING & COLOR		
H	METAL	1	BRASS	Ni 60u"		
G	SHIELDING	1	COPPER ALLOY 0.2t			
F	TRANSFER TERMINAL	1	PHOSPHOR BRONZE 0.2t	120u" Sn ON SOLDER AREA GOLD FLASH ON CONTACT AREA ALL OVER 50u" Ni.		
E	BREAK TERMINAL	1	BRASS 0.25t			
D	RING SPRING	1	PHOSPHOR BRONZE 0.2t	GOLD FLASH ON CONTACT AREA OVER 50u" Ni.		
C	SHUNT TERMINAL-A	1	PHOSPHOR BRONZE 0.25t			
B	TIP SPRING	1	PHOSPHOR BRONZE 0.25t	Ag 0.5 um Min. OVER 50u" Ni.		
A	EARTH	1	COPPER ALLOY 0.3t			
	BODY	1	HIGH TEMP.THERMOPLASTIC	SEE "TABLE 1"		
	NO		DESCRIPTION	QTY	MATERIAL	PLATING & COLOR
			UNLESS OTHERWISE SPECIFIED TOLERANCES			
			DECIMALS:		ANGLES:	
			X :±0.5		X :±2°	
			X.X :±0.3		X.X :±1°	
			X.XX :±0.2			
<p>Singatron Enterprise Co., Ltd. 信音企業股份有限公司</p> <p>TITLE: 3.5ø PHONE JACK</p> <p>DWN: DengFeng PART NO. 2SU-B351-S43F</p> <p>CHKD: Luszen SCALE:4:1 UNIT: MM</p> <p>APVD: Quon SIZE: A3 SHEET: 1 OF 1 REV: A</p> <p>CUSTOMER COPY</p>						