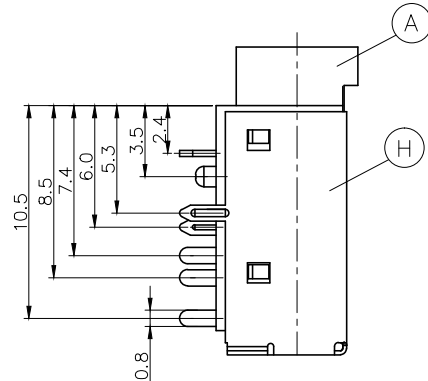
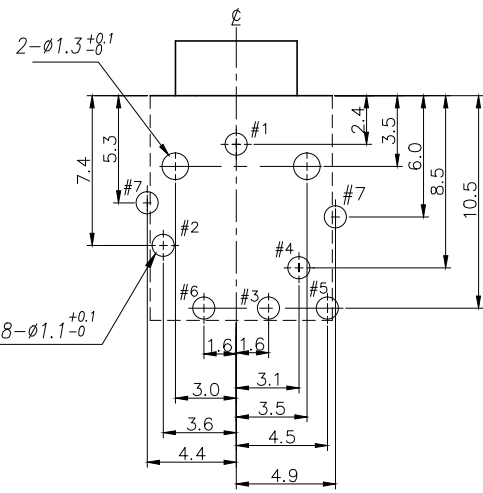
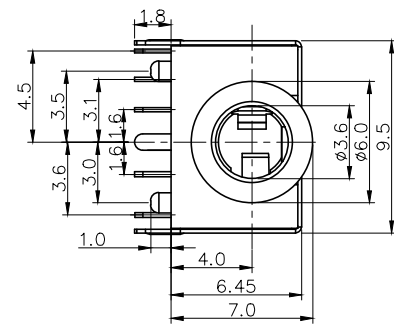
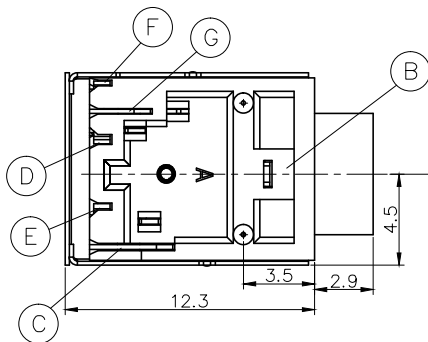


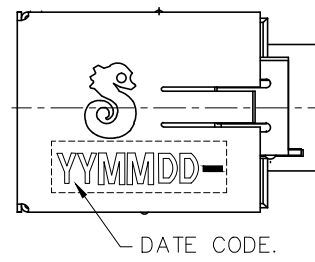
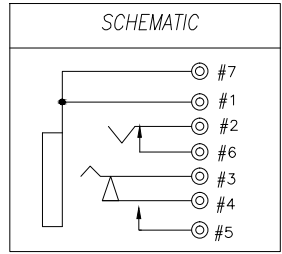
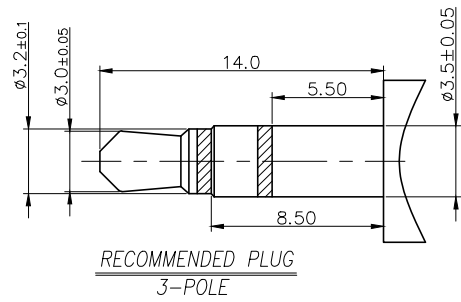
REV.	ECN NO OR DESCRIPTION	REVISED	DATE
A	PDR NO: T130412-4A	MARS	2013.05.17
B	ECN NO:S131109	SEAN	2014.03.10



**SPECIFICATIONS:**

- INSULATION RESISTANCE BETWEEN ANY ADJACENT OPEN CIRCUIT TERMINAL SHELL NOT BE LESS THAN 100MΩ MEASURED BY 500 VDC .
- CONTACT RESISTANCE: 30mΩ MAX. (200mΩ MAX:METAL TO EARTH TO SHIELDING)
- INSULATION VOLTAGE WITHSTAND: 500V AC FOR ONE MINUTE.
- LIFE TEST: 5,000 CYCLES MIN. (NON-LOAD)
- INSERTION FORCE:0.3 - 3Kg.
- WITHDRAWAL FORCE:0.3 - 3Kg.
- AFTER LIFE TEST, CONTACT RESISTANCE: 50mΩ MAX.
- AFTER HUMIDITY TEST, INSULATION RESISTANCE:50MΩ MIN.
- MARKING: MARK "S" ON TOP OF CONNECTOR.
- PACKAGING : TAPE & REEL.
- TO CONFORM TO SINGATRON HAZARDOUS SUBSTANCE FREE SPEC
- HALOGEN FREE PRODUCT IDENTIFICATION MARK ON PRODUCT:
- HALOGEN FREE PRODUCT IDENTIFICATION LOGO ON PACKAGING:
- FOR LEAD-FREE PROCESS.

RECOMMENDED PCB LAYOUT  
TOP VIEW (TOL.±0.05)



NO	DESCRIPTION	QTY	MATERIAL	PLATING & COLOR
H	SHIELDING	1	COPPER ALLOY 0.2t	Ni 60 u" Min
G	TRANSFER TERMINAL	1	PHOSPHOR BRONZE 0.2t	120u" Sn ON SOLDER
F	MAKE TERMINAL	1	PHOSPHOR BRONZE 0.2t	GOLD FLASH ON CONTACT AREA
E	RING SPRING	1	PHOSPHOR BRONZE 0.2t	ALL OVER 50u" Ni.
D	SHUNT TERMINAL-A	1	BRASS 0.25t	GOLD FLASH ON CONTACT AREA
C	TIP SPRING	1	PHOSPHOR BRONZE 0.25t	OVER 50u" Ni.
B	EARTH	1	COPPER ALLOY 0.3t	Ag 20u" Min,
A	BODY	1	PA6T+30%GF UL 94V-0	OVER 50u" Ni . BLACK COLOR

UNLESS OTHERWISE SPECIFIED TOLERANCES

Singatron Enterprise Co., Ltd.  
信音企業股份有限公司

DECIMALS: X :±0.5 X.X :±0.3 X.XX :±0.2

ANGLES: X :±2° X.X :±1°

TITLE: 3.5ø PHONE JACK

DWN SEAN PART NO. 2SJ-B351-S57F

CHKD CERRY SCALE: 4/1 UNIT: mm

APVD MAX SIZE: A3 SHEET: 1 OF 1 REV:B

CUSTOMER COPY