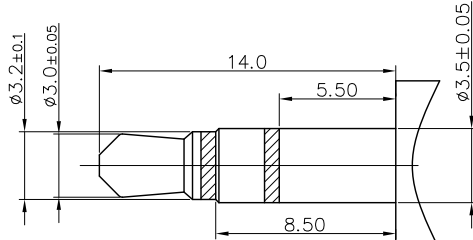
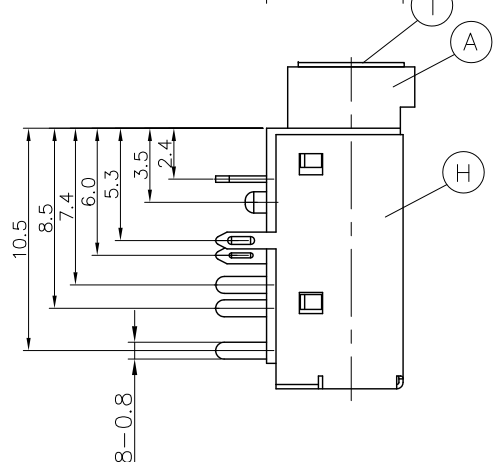
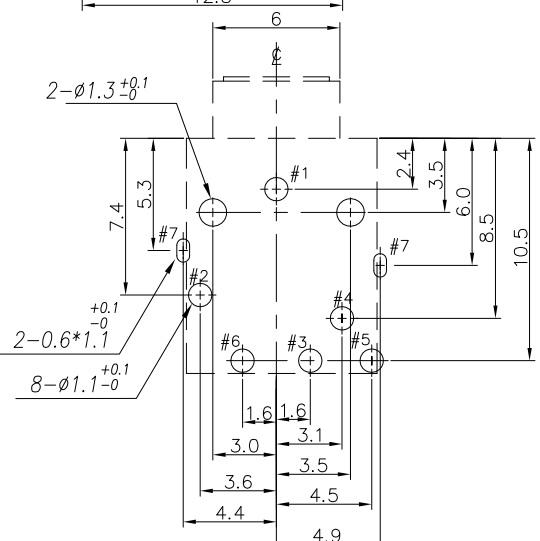
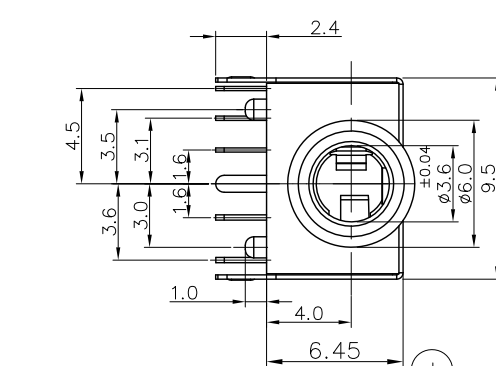
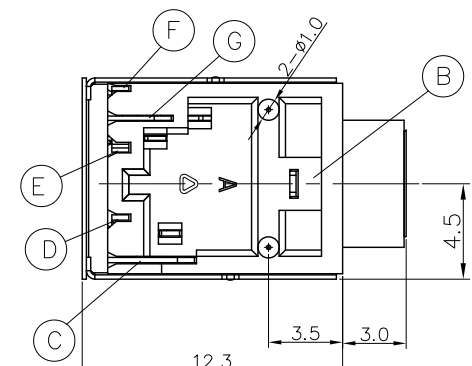


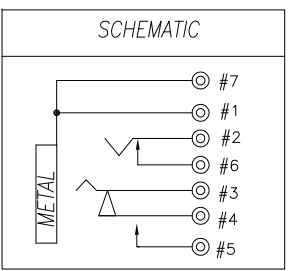
REV.	ECN NO OR DESCRIPTION	REVISED	DATE
A	PDR NO.T111012-3A/3B	JIE-XIAO	2012.02.08
B	ECN NO.:S140506	ANDY	2014.06.13

SPECIFICATIONS:

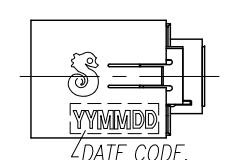
- INSULATION RESISTANCE BETWEEN ANY ADJACENT OPEN CIRCUIT TERMINAL SHELL NOT BE LESS THAN 100MΩ MEASURED BY 500 VDC
- CONTACT RESISTANCE: 30mΩ MAX.
(METAL, EARTH AND SHIELDING MUST BE CONDUCT)
- INSULATION VOLTAGE WITHSTAND:
500V AC FOR ONE MINUTE.
- UNLESS OTHERWISE SPECIFIED. TEST IS TO BE MADE AT 5-35°C IN TEMPERATURE AND 45-85% IN HUMIDITY. BUT, IF ANY VAGUE DATA IS OCCURED ON TEST RESULT, ANOTHER TEST SHALL BE MADE AT 20°C±2°C IN TEMP., 60-70% IN HUMIDITY.
- LIFE TEST: 5,000 CYCLES MIN. (NON-LOAD)
- INSERTION FORCE: 0.4 - 3Kg.
- WITHDRAWAL FORCE: 0.3 - 2Kg.
- AFTER LIFE TEST, CONTACT RESISTANCE: 50mΩ MAX.
- AFTER HUMIDITY TEST, INSULATION RESISTANCE: 50MΩ MIN.
- MARKING: MARK "S" ON TOP OF CONNECTOR.
- PACKAGING : TAPE & REEL.
- TO CONFORM TO SINGATRON HAZARDOUS SUBSTANCE FREE SPEC
- GREEN PRODUCT IDENTIFICATION MARK ON JACK:
- GREEN PRODUCT IDENTIFICATION LABEL ON PACKAGING: **G.P. PASS**
- FOR LEAD-FREE PROCESS.



RECOMMENDED PCB LAYOUT
TOP VIEW (TOL.±0.05)



RECOMMENDED PLUG
3-POLE



I	METAL	1	BRASS	Ni 60u" MIN
H	SHIELDING	1	COPPER ALLOY 0.2t	
G	TRANSFER TERMINAL	1	PHOSPHOR BRONZE 0.2t	GOLD FLASH ON CONTACT AREA MATTE Sn 120u" ON SOLDER ALL OVER Ni 50u"
F	BREAK TERMINAL	1	BRASS 0.25t	
E	RING SPRING	1	PHOSPHOR BRONZE 0.2t	
D	SHUNT TERMINAL-A	1	PHOSPHOR BRONZE 0.2t	GOLD FLASH OVER 50u" Ni
C	TIP SPRING	1	PHOSPHOR BRONZE 0.25t	Ag 20u" MIN OVER Ni 50u"
B	EARTH	1	COPPER ALLOY 0.3t	
A	BODY	1	HIGH TEMP.THERMOPLASTIC UL 94V-0	SEE "TABLE 1"
NO	DESCRIPTION	QTY	MATERIAL	PLATING & COLOR

UNLESS OTHERWISE SPECIFIED TOLERANCES

Singatron Enterprise Co., Ltd.
 信音企業股份有限公司

DECIMALS: X :±0.5 X.X :±0.3 X.XX :±0.2	ANGLES: X :±2° X.X :±1°	TITLE DWN ANDY CHKD CERRY APVD MAX	3.5Ø PHONE JACK	
		PART NO. 2SJ-B351-SXXH	SCALE:4:1	UNIT: MM
		SIZE: A3	SHEET:1 OF 1	REV: B

CUSTOMER COPY

"TABLE 1"

P/N:	COLOR
2SJ-B351-S47H	PINK
2SJ-B351-S48H	LIME