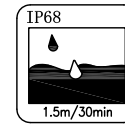
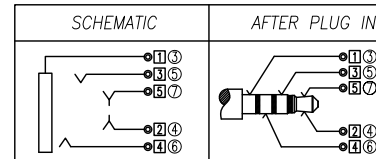


RoHS Complied

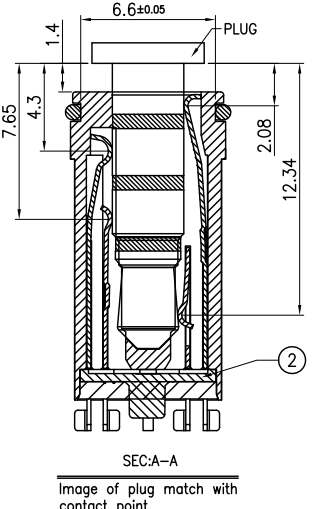
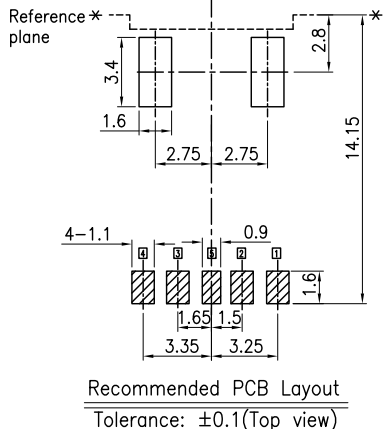
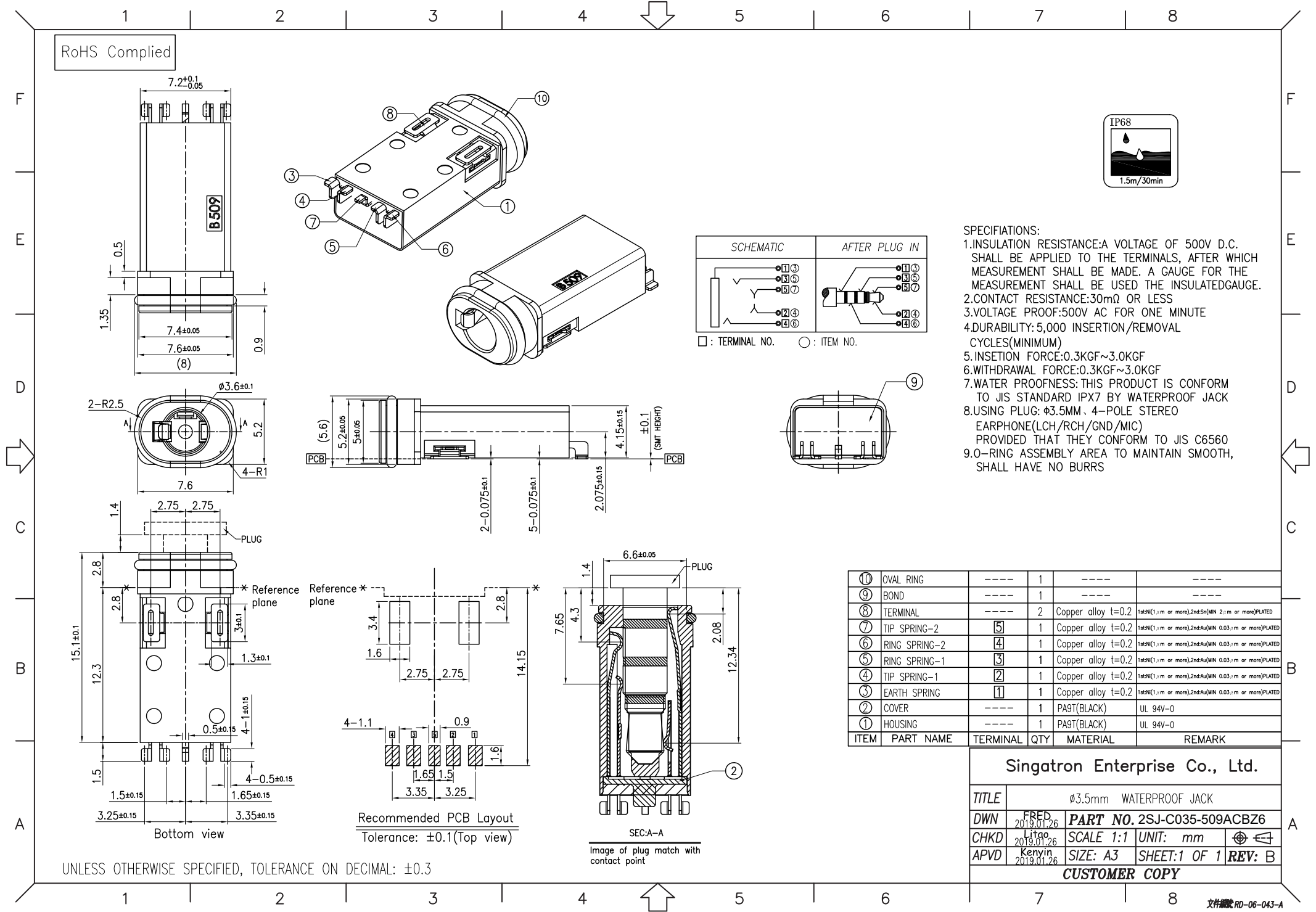
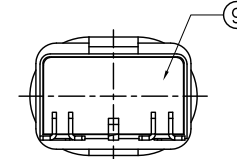
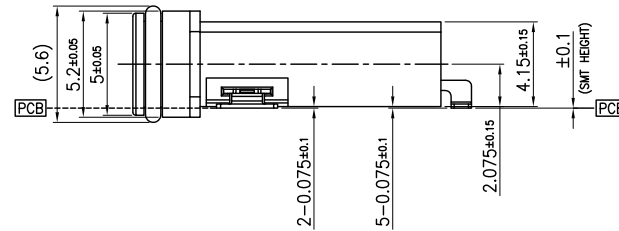
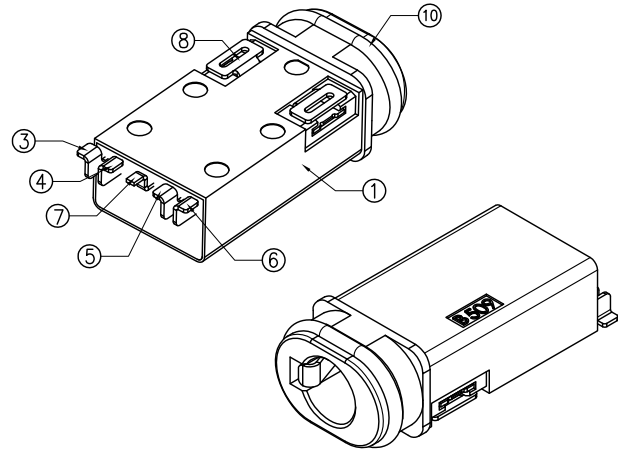


SPECIFICATIONS:

- 1.INSULATION RESISTANCE:A VOLTAGE OF 500V D.C. SHALL BE APPLIED TO THE TERMINALS, AFTER WHICH MEASUREMENT SHALL BE MADE. A GAUGE FOR THE MEASUREMENT SHALL BE USED THE INSULATEDGAUGE.
- 2.CONTACT RESISTANCE:30mΩ OR LESS
- 3.VOLTAGE PROOF:500V AC FOR ONE MINUTE
- 4.DURABILITY: 5,000 INSERTION/REMOVAL CYCLES(MINIMUM)
- 5.INSERTION FORCE:0.3KGF~3.0KGF
- 6.WITHDRAWAL FORCE:0.3KGF~3.0KGF
- 7.WATER PROOFNESS: THIS PRODUCT IS CONFORM TO JIS STANDARD IPX7 BY WATERPROOF JACK
- 8.USING PLUG: Φ3.5MM、4-POLE STEREO EARPHONE(LCH/RCH/GND/MIC) PROVIDED THAT THEY CONFORM TO JIS C6560
- 9.0-RING ASSEMBLY AREA TO MAINTAIN SMOOTH, SHALL HAVE NO BURRS



□ : TERMINAL NO. ○ : ITEM NO.



ITEM	PART NAME	TERMINAL	QTY	MATERIAL	REMARK
⑩	OVAL RING	----	1	----	----
⑨	BOND	----	1	----	----
⑧	TERMINAL	----	2	Copper alloy t=0.2	1st:Ni(1.μm or more),2nd:Sn(MIN 2.μm or more)PLATED
⑦	TIP SPRING-2	⑤	1	Copper alloy t=0.2	1st:Ni(1.μm or more),2nd:Au(MIN 0.03μm or more)PLATED
⑥	RING SPRING-2	④	1	Copper alloy t=0.2	1st:Ni(1.μm or more),2nd:Au(MIN 0.03μm or more)PLATED
⑤	RING SPRING-1	③	1	Copper alloy t=0.2	1st:Ni(1.μm or more),2nd:Au(MIN 0.03μm or more)PLATED
④	TIP SPRING-1	②	1	Copper alloy t=0.2	1st:Ni(1.μm or more),2nd:Au(MIN 0.03μm or more)PLATED
③	EARTH SPRING	①	1	Copper alloy t=0.2	1st:Ni(1.μm or more),2nd:Au(MIN 0.03μm or more)PLATED
②	COVER	----	1	PA9T(BLACK)	UL 94V-0
①	HOUSING	----	1	PA9T(BLACK)	UL 94V-0

Singatron Enterprise Co., Ltd.

TITLE	Φ3.5mm WATERPROOF JACK		
DWN	FRED 2019.01.26	PART NO.	2SJ-C035-509ACBZ6
CHKD	Litao 2019.01.26	SCALE	1:1 UNIT: mm
APVD	Kenyin 2019.01.26	SIZE	A3 SHEET:1 OF 1
REV: B			

CUSTOMER COPY

UNLESS OTHERWISE SPECIFIED, TOLERANCE ON DECIMAL: ±0.3